



OUTLAW XP MODELS

ZERO-TURN MOWER

OWNER'S, SERVICE & PARTS MANUAL

For additional information, please see us at
www.badboymowers.com

Bad Boy, Inc.
102 Industrial Drive
Batesville, Arkansas 72501

TABLE OF CONTENTS

Basic Information	Section 1	Page 4
Bad Boy Safety Guidelines	Section 2	Page 5
Operation	Section 3	Page 9
Maintenance	Section 4	Page 10
Storage and Transportation	Section 5	Page 12
Troubleshooting and FAQ	Section 6	Page 13
Controls	Section 7	Page 14
Moving In-operable Mower	Section 8	Page 15
Instrumentation	Section 9	Page 15
Mower Blade Maintenance	Section 10	Page 16
Greasing Bearings	Section 11	Page 16
How To Choose the Right Blade		Page 17
Mowing Tips		Page 18
Service Section		Page 19
Parts Section		Page 43
Limited Warranty		Page 66



This manual applies to the following equipment:

Bad Boy Outlaw XP Series

- Outlaw XP 5400 54" 852cc Kawasaki FX-850
- Outlaw XP 6100 61" 852cc Kawasaki FX-850
- Outlaw XP 7200 72" 852cc Kawasaki FX-850
- Outlaw XP 6100 61" 824cc Yamaha EFI
- Outlaw XP 7200 72" 824cc Yamaha EFI
- Outlaw XP 6100 61" 993cc Vanguard
- Outlaw XP 7200 72" 993cc Vanguard

COMMONLY USED ITEMS AND PART NUMBERS

72" Blades	Hi-Lift Fusion 038-7230-00	Gator Blade 038-5400-00	Wave Blade 038-7215-00
61" Blades	Hi-Lift Fusion 038-6080-00	Gator Blade 038-6081-00	Wave Blade 038-6090-00
54" Blades	Hi-Lift Fusion 038-0001-00	Gator Blade 038-0003-00	Wave Blade 038-5220-00
Deck Belt	72" 041-0202-00	61" 041-0178-00	54" 041-1650-00
Pump Belt	041-8411-00		
Spark Plug	Vanguard 933cc 015-8000-00	Kawasaki FX 850v 018-8001-00	Yamaha 824cc EFI 015-0056-06
Air Filter	Inner Air Filter 063-8020-00	Outer Air Filter 063-8019-00	
Fuel Filter	063-6000-00		
Oil Filter	Vanguard 933cc 063-8018-00	Kawasaki FX 850v 063-8017-00	Yamaha 824cc EFI 015-0053-02
Motor Oil	10W-30 Motor Oil - Bad Boy Synthetic Blend Motor Oil Recommended		
Hydro Oil	20W-50 Motor Oil - Bad Boy Hydrostatic Oil Recommended; Approximately 2 quarts per side.		
Hydraulic Filter	063-8014-00		

SECTION 1: BASIC INFORMATION

Congratulations on the purchase of your new Bad Boy Mower! The purpose of this manual is to assist operators in maintaining and operating their machine. The information and instructions in this manual can help you attain years of performance from your new Bad Boy. Also, check out our website to learn more about the Bad Boy family.

- 1.1 All Bad Boy engines use 10W-30 engine oil. For maximum protection, Bad Boy synthetic blend engine oil is recommended.
- 1.2 All Bad Boy hydraulic systems use 20W-50 engine oil (Conventional or Synthetic). Bad Boy Hydrostatic oil is recommended.
- 1.3 All Bad Boy Mowers use hi-temp multi-purpose grease. NLGI No. 2 for the grease fittings.
- 1.4 Outlaw models have 12 psi in both front and rear tires.
- 1.5 Most Yamaha, Kawasaki, and Vanguard engines hold approximately two (2) quarts of motor oil. Be careful not to over fill engine oil. Refer to the engine's service manual.

Warranty Registration

The Warranty Registration form must be completed within 30 days to validate your warranty. As the new equipment owner, you are expected to see that the form is completed and forwarded to Bad Boy, Inc., at time of delivery. Warranty is non transferable. **Warranty registration should be completed by the selling dealership using the on-line registration site.**

Model/Serial Number

Your Outlaw model serial numbers are found on the SIN plate underneath seat. These numbers can assist you in the ordering of new parts when replacements become necessary.

Parts/Service

Only Bad Boy replacement parts are to be used on your mower.

Replacement parts are available through your local Bad Boy Mower Dealer. Remember to always provide the following information when ordering parts:

1. Correct part number
2. Correct serial number

All warranty repair and service must be handled through your authorized Bad Boy Mowers dealer.

To locate the nearest dealer, go to our website and click on Locate a Dealer.

EVAPORATIVE EMISSION CONTROL WARRANTY STATEMENT

Federal Evaporative Emission Control Warranty: Your Warranty Rights and Obligations

The Environmental Protection Agency (EPA), and Bad Boy Inc. are pleased to explain the evaporative emission control system's warranty on your 2017 equipment. New equipment that uses spark ignition engines for off-road use must meet stringent anti-smog standards. The evaporative emission control system on your equipment is designed, built, and equipped so it conforms at the time of sale to the ultimate purchaser with the requirements of 40 CFR 1060. The evaporative emission control system is free from defects in materials and workmanship that may keep it from meeting said requirements. Bad Boy Inc. must warrant the evaporative emission control system on your equipment for two years provided there has been no abuse, neglect or improper maintenance. If an evaporative emission control system component does fail in a manner that would cause the equipment to no longer meet the requirements of 40 CFR 1060 within the first two years Bad Boy Inc. will replace the defective component. Your evaporative emission control system may include parts such as fuel tanks, fuel lines, carbon canisters, fuel caps, valves, vapor hoses, clamps, or connectors.



SECTION 2: MOWER SAFETY GUIDELINES

Never allow untrained people to operate this machine. It is the owner's responsibility to get training and see to it that anyone who has permission to use your machine receives the proper training. Do not mow around people. The factory discharge chute is designed to deflect debris downward, but it could be possible for debris to be thrown in a way that can cause damage to people or property. Seek additional training when possible to learn more about safety techniques and practices. **This cutting machine is capable of amputating hands and feet and throwing objects. Failure to observe the following safety instructions could result in serious injury or death.**

GENERAL OPERATION

- 2.1 Read, understand, and follow all instructions on the machine and in the manual before starting.
- 2.2 Do not put hands or feet near rotating parts or under the machine. Keep clear of the discharge opening at all times.
- 2.3 Always remain seated while operating the machine. If the machine is equipped with Roll Over Protection (ROPs), always buckle your seat belt.
- 2.4 Only allow responsible adults who are familiar with the instructions to operate this machine.
- 2.5 Clear the area of objects such as rocks, wire, toys, etc., which could be thrown by the blades.
- 2.6 Always maintain a safe distance from people and pets just prior to, and during, operation. Stop the machine if anyone enters the area.
- 2.7 Never carry passengers.
- 2.8 Do not mow in reverse unless absolutely necessary. Always look down and behind before and while backing.
- 2.9 Never direct discharged material toward anyone. Avoid discharging material against a wall or obstruction as material may ricochet back toward the operator. Stop the blades when crossing gravel surfaces.
- 2.10 Never operate the machine without the discharge chute, grass catcher, or other safety devices correctly in place and functioning properly.
- 2.11 Slow down before turning.
- 2.12 Always disengage blades, place steering controls in neutral, engage parking brake, and remove ignition key when leaving operators seat. Never leave a running machine unattended.
- 2.13 Disengage blades when not mowing. Shut off engine and wait for all parts to come to a complete stop before cleaning the machine, inspecting the machine for damage, removing the grass catcher, or unclogging the discharge guard.
- 2.14 Always operate machine in daylight or with adequate working lights.
- 2.15 Do not operate the machine while under the influence of alcohol or drugs.
- 2.16 Watch for traffic when operating near or crossing roadways.
- 2.17 Always wear eye protection when operating or servicing the machine.
- 2.18 Always wear ear protection, such as earplugs, while mowing.
- 2.19 Use extra care when loading or unloading the machine into a trailer or truck.
- 2.20 Be alert of surroundings. Watch for rocks, stumps, mounds, depressions, and low hanging limbs or objects that could be potentially hazardous while mowing.
- 2.21 Data indicates that operators 60 years of age and above are involved in a large percentage of riding mower related injuries. These operators should periodically evaluate their ability to operate the riding mower safely enough to protect themselves and others from serious injury.

SLOPE OPERATION

Slopes are a major factor related to loss of control and tip over accidents, which can result in severe injury or death. Operation on all slopes requires extra caution. If you cannot back up the slope, or you feel uneasy on it, do not mow it.

- 2.22 Mow up and down slopes, not across.
- 2.23 Watch for holes, ruts, bumps, rocks, or other hidden objects that tall grass can obscure. Uneven terrain could overturn the machine.
- 2.24 Choose a low ground **speed** when operating the machine on a slope.
- 2.25 Do not mow on wet grass, the tires may lose traction.
- 2.26 Do not attempt to coast down a slope in the neutral position.
- 2.27 Avoid starting, stopping, or turning on a slope. If the tires lose traction, disengage the blades and proceed slowly, straight down the slope.
- 2.28 Keep all movement on slopes slow and gradual. Sudden changes in speed or direction could cause the machine to roll over.
- 2.29 Use extra care while operating machine with grass catchers or other attachments: they can affect the stability of the machine. Do not use on steep slopes.
- 2.30 Do not try to stabilize the machine by putting your foot on the ground.
- 2.31 Do not mow near drop offs, ditches or embankments. The machine could suddenly roll over if a wheel goes over the edge or the edge caves in.
- 2.32 Be aware of what is located at the bottom of slopes. For example: rocks water, cliffs, and roadways.

CHILDREN

Tragic accidents can occur if the operator is not alert to the presence of children. Children are often attracted to the machine and the mowing activity. NEVER assume that children will remain where you last saw them.

- 2.33 Keep children out of the mowing area and in the watchful care of a responsible adult other than the operator.**
- 2.34 Maintain alertness and turn machine off if a child enters the area.**
- 2.35 Before and while backing, look behind and down for small children.**
- 2.36 Never carry children, even with the blades shut off. They may fall off and be seriously injured or interfere with safe machine operation. Children who have been given rides in the past may suddenly appear in the mowing area for another ride and be run over or backed over by the machine.**
- 2.37 Never allow children to operate the machine.**
- 2.38 Never leave key in the ignition, especially around children.**
- 2.39 Use extreme care when approaching blind corners, shrubs, trees, or other objects that may block your view of a child.**

TOWING

- 2.40 Tow only with a machine that has a hitch specifically designed for towing. Do not attach towed equipment except at the hitch point.
- 2.41 Follow the manufacturer's recommendation for weight limits for towed equipment and towing on slopes.
- 2.42 Never allow children or others in or on towed equipment.
- 2.43 On slopes, the weight of the towed equipment may cause loss of traction and loss of control.
- 2.44 Travel slowly and allow extra distance to stop.



SERVICE:

SAFE HANDLING OF GASOLINE

To avoid personal injury or property damage, use extreme care in handling gasoline. Gasoline is extremely flammable and the vapors are explosive.

- 2.45 Extinguish all cigarettes, cigars, pipes, and all other sources of ignition.
- 2.46 Use only an approved gasoline container.
- 2.47 **Never remove gas cap or add fuel with the engine running.**
- 2.48 **Allow engine to cool before refueling.**
- 2.49 Never fuel the machine indoors.
- 2.50 Do not store machine near open flame or source of ignition, such as a water heater or furnace.
- 2.51 Remove gas powered equipment from the truck or trailer and refuel it on the ground. If this is not possible, then refuel such equipment with a portable container, rather than from a gasoline dispenser nozzle.
- 2.52 Never fill gasoline containers inside a vehicle or on a truck or trailer bed with a plastic liner. Always place containers on the ground away from your vehicle before filling.
- 2.53 Keep the nozzle in contact with the rim of the fuel tank or container opening at all times until the fueling is complete. Do not use a nozzle lock-open device.
- 2.54 If fuel is spilled on clothing, change clothing immediately.
- 2.55 Never overfill fuel tank. Replace gas cap and tighten securely. **Tank is full when level reaches bottom of fill tube.**

GENERAL SERVICE

- 2.56 Never operate machine in a closed area where dangerous carbon monoxide fumes can collect.
- 2.57 Keep all nuts and bolts tight to be sure the equipment is in safe working condition. Never operate a poorly maintained machine.
- 2.58 Do not touch hot areas of the machine.
- 2.59 Never interfere with the intended function of a safety device or reduce the protection provided by a safety device. Check their proper operation regularly.
- 2.60 Keep the entire machine free of grass, leaves, or other debris build up. Clean up oil or fuel spillage and remove any fuel soaked debris. Failure to do so can affect the safety and functionality of the machine, as well as increase the danger of a fire due to contact with the hot surfaces of the machine.
- 2.61 Allow machine to cool before storing.
- 2.62 If you strike something with the mower, turn the mower and blades off, engage the parking brake, and inspect the machine for damage. Repair, if necessary, before resuming.
- 2.63 Never make any adjustments or repairs with the engine running.
- 2.64 Check grass catcher components and the discharge guard frequently and replace with manufacturer's recommended parts, when necessary.
- 2.65 Mower blades are sharp. Wrap the blade or wear gloves before servicing them.
- 2.66 Check parking brake operation frequently. Adjust and service as required.
- 2.67 Maintain or replace safety and instruction labels, as necessary.
- 2.68 Do not attempt to mount a tire without the proper equipment and experience to perform the job.

-
- 2.69 Always maintain the correct tire pressure. Do not inflate the tires above the recommended pressure. Never weld or heat a wheel and tire assembly. The heat can cause an increase in air pressure resulting in a tire explosion. Welding can structurally weaken or deform the wheel.
 - 2.70 Park machine on level ground. Never allow untrained personnel to service machine. Understand service procedure before doing work.

SAFETY INTERLOCK SYSTEM

Your Bad Boy mower is equipped with a safety interlock system. This system is designed to prevent serious injury or death to the operator and other people or property damage. The system consists of an operator presence switch in the seat, the parking brake, drive lever neutral position, the mower blade engagement switch, and the ignition switch.

These interlocks are vitally important and must be tested frequently. Following are instructions to test these very important safety precautions. **Note: the operator must be seated properly on the machine during these tests and the engine should have been previously allowed to warm to operating temperature.**

- 2.71 With the parking brake engaged, bring lever arms to their inward position, then attempt to start the machine (the blade actuator should be in off position); the engine should not start.
- 2.72 On a level surface, disengage the parking brake and place lever arms to their outward position, then attempt to start the machine (the blade actuator should be in off position); the engine should not start.
- 2.73 Engage parking brake and leave lever arms in outward position, put blade actuator in the on position, then attempt to start the machine; the engine should not start.
- 2.74 Next, start the engine as stated in the "Mower Operation Section", disengage parking brake, and Very Slowly begin to rise from the seat; the engine should stop.

If any of these tests fail to produce the results indicated and the problem cannot be identified, contact your Bad Boy Mower dealer or the support contacts in the rear of this manual.

ROLL OVER PROTECTION STRUCTURES (ROPS)

If your machine is equipped with ROPS, it is of utmost importance they are used properly. ROPS, when used correctly, dramatically decrease the fatality rate in instances when the machine overturns.

- 2.75 Periodically ensure the bolts that attach the ROPS to the machine are securely fastened.
- 2.76 Always operated the machine with the ROPS secured in the upright position.
- 2.77 If the surrounding environment (e.g. low lying limbs, signage, etc.) makes it impossible to mow with the ROPS upright, lower the ROPS at the hinge point, mow the area, then immediately secure the ROPS upright.
- 2.78 Upright ROPS are taller than then operators head. Be aware of this and your surrounding environment, as referenced above. The mower and operator may clear low lying items, but the ROPS may not.
- 2.79 Always wear the provided seat belt when ROPS are utilized. Failure to use the seat belt severely handicaps the safety benefits of the ROPS.
- 2.80 In the event of a roll-over, replace the ROPS before resuming use of the machine.



SECTION 3: MOWER OPERATION

Never operate the machine with faulty equipment. Always be alert of sudden changes in landscape, as the mower will react differently on slopes or embankments than it will on flat surfaces. Never operate the mower with the discharge chute open. Do not cross terrain, other than grass, with blades turning. This could cause damage to property or bystanders.

- 3.1 Place parking brake in up position
- 3.2 Drive arms must be in the “open” position. While sitting on the machine, each arm is positioned away from the operator, to the right and left. Drive arms will lock into place and must be in this position to start machine.
- 3.3 Put PTO switch in the OFF position.
- 3.4 Your machine has been equipped with ROPS (Roll Over Protection System). The operator must fasten his or her seat belt while operating the mower.
- 3.5 If machine has not been started recently, engage the choke.
- 3.6 Make sure nothing is under or around machine.
- 3.7 Place key in ignition and turn.
- 3.8 Once machine is started, disengage the choke.
- 3.9 Increase RPM by sliding the throttle to fast position, toward the rabbit.
- 3.10 Owners must become familiar with the controls before operating a zero-turn radius vehicle.
- 3.11 Start slowly and build your skill level. Have ample practice before using the machine at full capabilities.
- 3.12 Be comfortable with machine before engaging blades. Know what each component controls before using machine.
- 3.13 Your mower will perform differently on an incline /decline. Be cautious, slow down, and do not make any sudden jerking movements with control arms. The machine could lose traction on a decline or tip backwards on an incline.
- 3.14 Once you become comfortable with your Bad Boy Mower you will notice your overall mowing time will decrease.

***Avoid operating your mower on side hills of over 5 degrees,
inclines of over 10 degrees,
and declines of over 15 degrees.***

SECTION 4: MOWER MAINTENANCE

Maintenance	Interval					Section
	Daily	First 8 hours	Every 50 hours or annually*	Every 100 hours or annually*	Every 250 hours	
Check and add engine oil	•					Section 3
Check all belts for proper alignment	•					Section 2 (Pump) 6 (Deck)
Check tire pressure and wheel lug nuts	•					Section 5
Check battery terminal connections	•					Section 4
Check condition of blades	•					Section 6
Check for fule and oil leakage	•					Section 3
Initial oil change		•				Section 3
Change engine oil and filter			•			Section 3
Tighten nuts and screws			•			
initial change of hydraulic oil and filter			•			Section 1
Grease mower				•		Section 5
Replace air element and pre-cleaner ◇				•		Section 3
Replace fuel filter ◇				•		Section 3
Clean or replace spark plugs and set gap				•		Section 3
Change hudraulic oil and filter					•	Section 1
Clean combustion chamber <small>Dealer</small>					•	
Check and adjust valve clearance <small>Dealer</small>					•	
Clean and lap valve seating surface <small>Dealer</small>					•	

*Maintenance by hour or annually, which ever comes first

◇ Check air and fuel filter more often in dusty conditions

Dealer Get maintenance performed at a registered dealership



MAINTENANCE LOG

<i>Date:</i>	<i>Hours:</i>	<i>Performed:</i>
<i>Date:</i>	<i>Hours:</i>	<i>Performed:</i>
<i>Date:</i>	<i>Hours:</i>	<i>Performed:</i>
<i>Date:</i>	<i>Hours:</i>	<i>Performed:</i>
<i>Date:</i>	<i>Hours:</i>	<i>Performed:</i>
<i>Date:</i>	<i>Hours:</i>	<i>Performed:</i>
<i>Date:</i>	<i>Hours:</i>	<i>Performed:</i>
<i>Date:</i>	<i>Hours:</i>	<i>Performed:</i>
<i>Date:</i>	<i>Hours:</i>	<i>Performed:</i>
<i>Date:</i>	<i>Hours:</i>	<i>Performed:</i>
<i>Date:</i>	<i>Hours:</i>	<i>Performed:</i>
<i>Date:</i>	<i>Hours:</i>	<i>Performed:</i>
<i>Date:</i>	<i>Hours:</i>	<i>Performed:</i>
<i>Date:</i>	<i>Hours:</i>	<i>Performed:</i>
<i>Date:</i>	<i>Hours:</i>	<i>Performed:</i>
<i>Date:</i>	<i>Hours:</i>	<i>Performed:</i>
<i>Date:</i>	<i>Hours:</i>	<i>Performed:</i>
<i>Date:</i>	<i>Hours:</i>	<i>Performed:</i>
<i>Date:</i>	<i>Hours:</i>	<i>Performed:</i>
<i>Date:</i>	<i>Hours:</i>	<i>Performed:</i>
<i>Date:</i>	<i>Hours:</i>	<i>Performed:</i>
<i>Date:</i>	<i>Hours:</i>	<i>Performed:</i>

SECTION 5: MOWER STORAGE & TRANSPORTATION

- 5.1 Keep machine from collecting debris by storing in a covered area while not in use.
- 5.2 Fuel can harm your machine if left for more than 30 days without changing, especially if the fuel contains ethanol. Never use fuel with more than 10% ethanol by volume. E-15 is not permitted.
- 5.3 Disconnect the negative battery cable when machine will be stored for more than 30 days.
- 5.4 Always secure machine properly when transporting machine.
- 5.5 Do not load machine on trailer with blades engaged.
- 5.6 Do not use ramps to load the machine.
- 5.7 Make sure Parking Brake is in “up” position.
- 5.8 In wet conditions tires may spin while loading / unloading. If necessary, wait for dry conditions before loading / unloading.
- 5.9 Make sure mode of transportation is suitable to bear the weight of mower.
- 5.10 Deck height should be set at maximum before attempting to load.
- 5.11 Secure mower with at least two straps capable of securing weight of mower.



SECTION 6: TROUBLESHOOTING

- 6.1 **Q: *How do I prevent an uneven cutting pattern and increase the quality of cut?***
- 6.1 **A:** Check tire pressure, check blade sharpness (replace blades or sharpen at least once per year or when needed), make sure blades are tightened properly, check spring and belt tension, check the underside of the deck to ensure the mower deck is free of grass build-up and debris, make sure your machine is at full throttle, and vary your mowing pattern each time you cut your grass.
- 6.2 **Q: *What should I do if my mower won't start?***
- 6.2 **A:** Check battery charge and connection (grounds), check your fuel (make sure fuel is less than 30 days old and contains no water), make sure your spark plug is in good condition and spark plug wire is attached, and make sure air filter is clean (a dirty filter makes it more difficult for the engine to draw air). Check the integrity of the 25 amp main fuse; also check for any bare wires and/or bad connections.
- 6.3 **Q: *What should I do if the blades won't engage?***
- 6.3 **A:** Make sure the safety switch is plugged in on the bottom of seat. Check the underside of the PTO engager to ensure the plug is secure at switch.
- 6.4 **Q: *What type of fuel is recommended for my mower?***
- 6.4 **A:** We recommend that you use a name brand fuel to ensure quality. Use fuel with an octane rating near 87. Higher octane fuels offer no benefit. By law, E-15 fuel is not permitted. Usage of E-15 will result in premature engine failure.
- 6.5 **Q: *Do you offer touch-up paint for your mowers?***
- 6.5 **A:** Touch-up paint is available. Contact your local dealer for more information.
- 6.6 **Q: *How durable is the electric deck lift?***
- 6.6 **A:** The actuator which controls the deck height is designed for moving loads of up to 1000 pounds and has a static holding capability which exceeds 3,000 pounds. Our ¼" deck weighs approximately 250 pounds which is only 25% of working capability.
- 6.7 **Q: *How do I clean my mower?***
- 6.7 **A:** It is recommended that you use an air hose or blower to remove dust and debris from the mower, to ensure there is not a build up of grass on the mower deck and engine compartment, which could become a fire hazard. If you must wash the mower, ensure you run the engine to operating temp to dry water and engage the blades to spin off any standing water on the pulleys. Avoid spraying water onto electrical components and bearings, to prevent premature failure of these parts.

SECTION 7: CONTROLS

- 7.1 **Ignition Switch**—Bad Boy mowers have a three position ignition switch: off, run, and start. With key inserted, rotate it clockwise to START position and release key when engine starts. Switch will automatically return to the RUN position.
- 7.2 **Throttle Control**—A cable is connected to the engine throttle for controlling engine speed. Move lever forward to increase engine rpm, move lever backward to decrease engine rpm.
- 7.3 **Choke Control**—A cable is linked to manually operate the engine choke (Vanguard and Kawasaki). When the lever is in the down position, the choke is in the off (run) position. When the lever is pulled up, the choke is in the on (start) position. Do not operate the machine in the on (start) position. The choke lever is behind the throttle control. Yamaha equipped machines do not require a choke. In that case, a Malfunction Indicator Light is in this position. the light will blink codes if there is a problem with the engine.
- 7.4 **Deck Height Adjust**—XP has a rocker switch for deck height adjustment.
- 7.5 **Blade Engage Switch**—This switch engages the blades. Pull the switch up to engage; push the switch down to disengage.
- 7.6 **Parking Brake (not pictured)**—This lever engages the parking brake; it is located to the operator's left. Pull back fully to engage the parking brake; push forward to disengage.
- 7.7 **Control Arms (not pictured)**—These levers control the mower's speed and direction (left-right and forward-reverse). Pushing the arms to their outward-most position places the mower in neutral.





SECTION 8: MOVING INOPERABLE MOWER

- 8.1 Do not tow machine. Use a winch to load on a trailer for transporting.
- 8.2 **ATTENTION:** RETURN BYPASS VALVES TO OPERATING POSITION BEFORE RUNNING MOWER FOLLOWING REPAIRS.
- 8.3 If it is necessary to move mower when the engine is inoperable, the hydraulic drive pumps are equipped with bypass valves. Before moving the mower, turn the bypass valves counterclockwise one-half to one revolution. The bypass valve bolts are located on the side of each pump and are easily identified by the hole through the bolt heads.
- 8.4 Your Bad Boy Mower Weighs: **OUTLAW XP SERIES:** **1180—1310 lbs**
**** Weights fluctuate with the addition of accessories.*
- 8.5 As you can see by the weights of the machines, you shouldn't ever try to push or pull a Bad Boy Mower by hand. This could cause serious bodily injury.
- 8.6 Hopefully, you'll never need to use this section of the manual. However, if you do, use extreme caution when moving machine!

SECTION 9: INSTRUMENTATION

- 9.1 **Electronic Hour Meter**—Registers Hour increments up to 9,999.9 total hours. This meter records the cumulative time the engine is running.
- 9.2 **Engine Oil Light**—Alerts the user of a low oil level situation when lit.

SECTION 10: MOWER BLADE MAINTENANCE

- 10.1 Check mower blades after each use. This is essential for maintaining well-groomed turf. Keep the blades sharp. If a dull blade is used for cutting, the grass will tear rather than cut. This could damage the grass leaving a brown frayed top on the grass within a few hours. A dull blade will also require more power from the engine.
- 10.2 NEVER attempt to straighten a bent blade by heating. NEVER attempt to weld a cracked blade. The blades can break and cause serious injury or death.
- 10.3 NEVER work with blades while engine is running or deck clutch is engaged.
- 10.4 ALWAYS place deck clutch in DISENGAGE position while performing maintenance.
- 10.5 Use blocks when you MUST work under mower.
- 10.6 ALWAYS wear thick gloves when handling blades.
- 10.7 ALWAYS check for blade damage if mower strikes rock, branch, or other objects that could potentially damage the blade.

***(REMEMBER: NEVER CHECK BLADE WHILE ENGINE IS ON!
NEVER CHECK BLADES WHILE BLADES ARE ENGAGED!)***

SECTION 11: EQUIPMENT LUBRICATION

- 11.1 Park the machine on a level surface and disengage the blade control switch.
- 11.2 Move the motion control levers outward to the neutral position, engage parking brake, stop the engine, remove the key, and wait for all moving parts to stop before leaving the operating position.
- 11.3 Grease Type: NLGI grade #2 multi-purpose gun grease.
- 11.4 Clean the grease fittings with a cloth. Scrape any paint off the front of the fitting(s).
- 11.5 Connect a grease gun to each fitting. Pump grease into the fitting until grease seepage is observed. Be mindful of over-pressurization. Do not force the lever arm if there is strong back pressure as this can lead to reduced life of the component(s). Wipe up excess grease.
- 11.6 Refer to service manual section for grease fitting locations.



HOW TO CHOOSE THE RIGHT BLADE

Essentially there are only TWO basic styles of mowing blades used or approved for use on our current products:

- 1) The standard style of mowing blade is essentially designed for cutting grass and effectively discharging the clippings out from the deck to fall onto the lawn or to be captured in a grass collection system. Standard blades are also referred to as “2-in-1” (discharging & bagging) or “high-lift” blades (because they are designed to create a higher-lifting airflow).
- 2) Mulching blades generally have a more curved style surface and frequently include extra cutting surfaces along the blade edges. These blades may also come in a “+” design (which is actually two individual blades arranged in a perpendicular fashion to enhance mulching). The “+” blades are usually found on older style mowers; newer ones utilize blades with more advanced mulching technology. Mulching blades may also be referred to as “3-in-1” (mulching, discharging & bagging) or “all-purpose” blades.

Bear in mind that the re-circulating airflow design of 3/1 blades makes them less efficient at discharging grass clippings than a standard 2/1 blade. As with most all-purpose tools, there is some give and take as opposed to using a tool designed for a more specific purpose.

If you’re experiencing less-than-desired cutting or discharging performance with a 3/1 blade, you may want to check into using a 2/1 blade. Conversely, if you’re using a 2/1 blade and want to mulch clippings, you should see about the availability of mulching blades or a mulching kit.*

The type of blade installed on a new mower is a decision the retailer makes for each model of mower, based on the expected needs of most customers. If you’re unsure of which blade is on a particular model, inspect the blade. Blades have part numbers stamped into them. Then compare these part numbers with the unit’s Operator’s Manual or Parts List.

It is true there are many other styles of blades available. But since we don’t manufacture or recommend using these other aftermarket styles, we will leave them out of this discussion. Should you want more information on special application or aftermarket blades, you should contact the companies that make these products. NOTE: Customers using non-OEM blades do so at their own risk. The use of unapproved (non-OEM) blades may void any or all of the mower and engine factory warranties.

* **MULCHING KITS** – These generally consist of mulching blades and a mulching plug (which closes off the discharge opening to keep the clippings contained under the deck for re-cutting) plus any necessary hardware for installation. Please check with your parts distributor regarding the contents of a particular mulching kit.

MOWING TIPS:

- Mow header strips at the ends of the lawn and around flower beds first. Make them wide enough that you can turn the mower around in the already mown section. Then mow back and forth between these header strips overlapping each lap by about 1/8 the width of the mower's deck.
- Don't cut your grass too short, particularly cool season grasses. Higher heights usually provide for a deeper root system, looks better, and is less likely to have weeds invading, particularly crabgrass.
- Don't remove any more than one third of the grass leaf at any one cutting. If circumstances arise that a lawn gets too tall and you just have to lop off a bunch to get caught up, bite the bullet and break it down into several mowings to get caught up with 3 or so days between cuttings.
- **NEVER SCALP YOUR LAWN.** Scalping severely damages the root system to such a degree that it may die.
- Avoid mowing when the grass is wet or when it's dark
- Avoid throwing grass clippings into the street and driveway where they can be washed into the sewer system. After mowing, clean up driveway and walkways.
- When mowing remove only a third with each cutting (except for the first mowing of the season when it's ok to remove more). You can safely leave clippings that will quickly decompose and add nutrients back into the soil. Contrary to popular opinion, grass clippings do not add to thatch buildup. Grass blades are made up of about 75% water.
- Mow your lawn in a different direction with each mowing, especially with lawns of shorter grass types. Altering the direction ensures a more even cut since grass blades will grow more erect and less likely to develop into a set pattern.
- Keep your mower's blade sharp, which means having it sharpened several times during the mowing season. Keep several blades around so you'll always have a sharp one on hand. Sharp blades cut the grass cleanly and help mulch clippings into small pieces which break down quickly.
- Don't forget to change your mower's oil at least once during the mowing season. For brand new mowers, change the oil after about 5 hours of operation during the initial break-in period.
- At the end of the mowing season use a fuel stabilizer in the remaining gasoline
- In the spring, don't use that old gas unless you properly used a fuel stabilizer, it can cause a number of problems. Better to use fresh gasoline to begin the new mowing season.
- **Leaf blade A** demonstrates what a leaf blade should look like after mowing with a sharp blade.
- **Leaf blade B** demonstrates a leaf blade that was injured by a dull mower blade.
- **Leaf blade C** was cut by the mower but indicates that the mower blade is not sharp enough. The shredded white tissue protruding from the leaf blades C and D is the vascular tissue of the plant.
- **Leaf blade D** has been mown for quite some time with a dull mower blade.



The leading edge of the blade enclosure is equipped with an adjustable guard. When the guard is set to a higher position, it allows incoming grass to remain in a more upright position just prior to being cut. The result is a higher quality cut.



To bag or mulch?

Grass clippings do not contribute to thatch buildup or increase the chances of disease. If you mow your lawn at the right height, without removing any more than 1/3 of its total height, clippings will quickly breakdown without a trace. These clippings contribute additional nitrogen and other nutrients to the soil and supply it with additional organic materials. Clippings from a 1000 sq. ft. lawn can add as much as 1 - 2 pounds of nitrogen back into the soil. If you have a compost pile, then you may want to bag your clippings occasionally to add much needed green-matter to the compost pile. Make sure it is mixed thoroughly with brown matter to avoid a strong ammonia odor. **DO NOT COMPOST CLIPPINGS** after applying any weed control or weed-feed type product. Before adding clippings to the compost pile wait at least 3 mowings after these products have been applied.



SERVICE SECTION

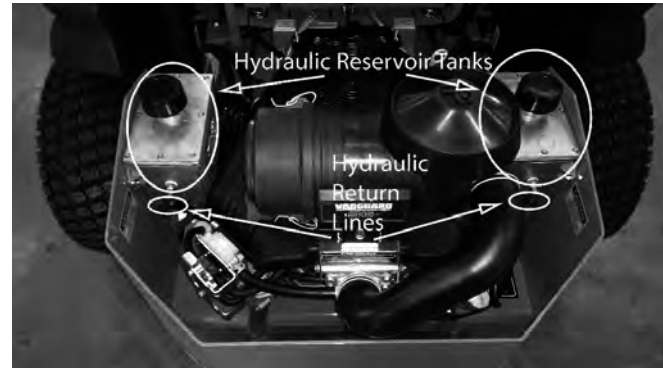
SECTION 1: HYDROSTATIC SYSTEM

The hydraulic reservoir tank on the Outlaw XP model is located on each side of the rear cover. There is a dipstick that indicates the current hydraulic oil level. Use only 20W-50 motor oil in this tank. Conventional or synthetic oil may be used. Bad Boy Hydrostatic Oil is recommended. Bad Boy recommends that the hydraulic oil and filters be changed within the first 50 hours of use; then at intervals of 250 usage hours. Use only Bad Boy replacement filters. Use of any other filters may result in damage to the hydraulic system and void the warranty. Each side requires approximately two quarts of oil to refill the system.

THE FOLLOWING MAINTENANCE IS TO BE PERFORMED ON A LEVEL SURFACE.

Changing your hydraulic oil and filters:

- 1) Place an oil drain pan under the engine plate and place the hydraulic return lines that go into the hydrogear pumps into the oil pan. Remove the caps from the hydraulic reservoir tanks.
- 2) Start the engine in order to cycle out the old hydraulic oil.
- 3) When you see air bubbles in the hydraulic lines **immediately shut off the mower**. keep in mind that only 75-80% of the hydraulic oil can be changed at a time.
- 4) Place rags under the hydraulic filters. Turn the hydraulic filters counter clockwise to remove.

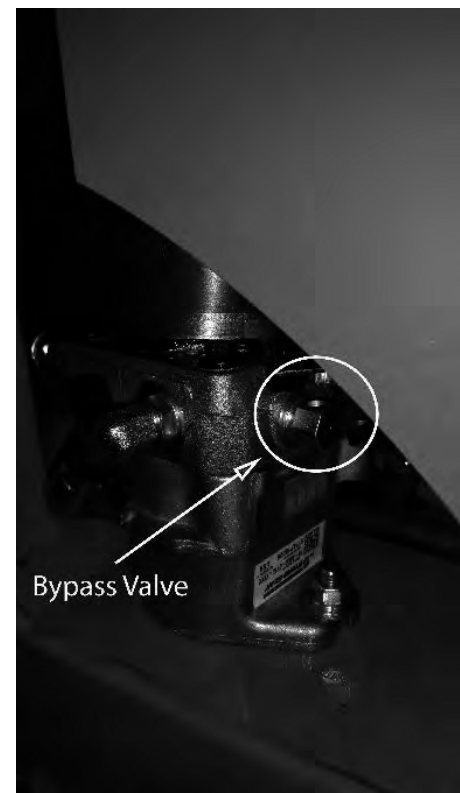


- 5) Fill the new hydraulic oil filters with 20W-50 motor oil.
Only use Bad Boy replacement filters.
- 6) Place the hydraulic return lines back onto the hydrogear pumps. Fill each hydraulic reservoir tank until the oil level reaches the bubble on the dipstick. Be careful not to overfill the hydraulic reservoir tanks.
- 7) Proceed to the purge procedure below.

Purging Procedure:

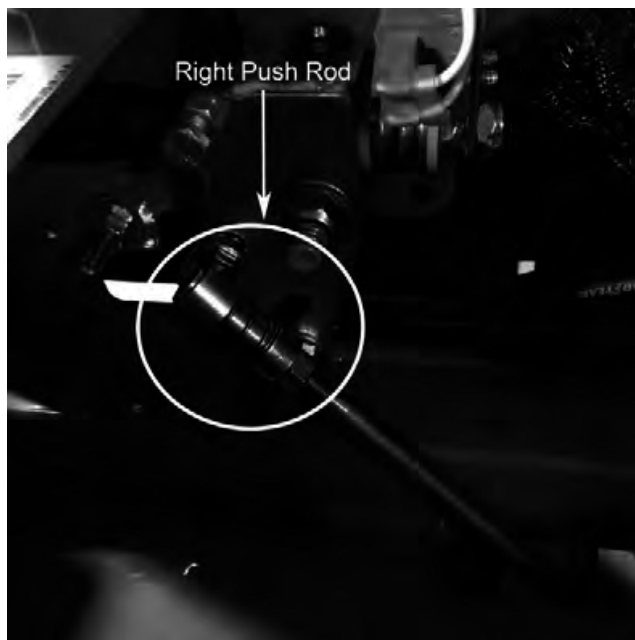
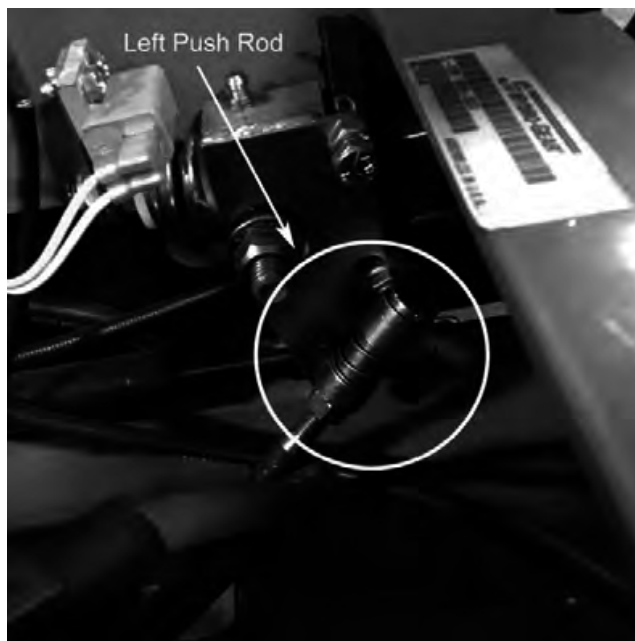
Due to the effects air has on the efficiency in hydrostatic drive applications, it is critical that the air is purged from the system. These purge procedures should be implemented any time a hydrostatic system has been opened to facilitate maintenance or any additional oil has been added to the system.

- 1) Lift the rear tires of the mower off of the ground and chock your front tires so they do not move.
- 2) With the bypass valve open and the engine running, slowly move the directional drive arms in the forward and reverse directions (5 to 6 times), as air is purged from the unit, the oil level will drop.
- 3) With the bypass valve closed and the engine running, slowly move the directional drive arms in the forward and reverse directions (5 to 6 times). Check the oil level, and add oil as required after stopping the engine.
- 4) It may be necessary to repeat steps 2 and 3 until all the air is completely purged from the system. When the transaxle moves forward and reverse at normal speed purging is complete.



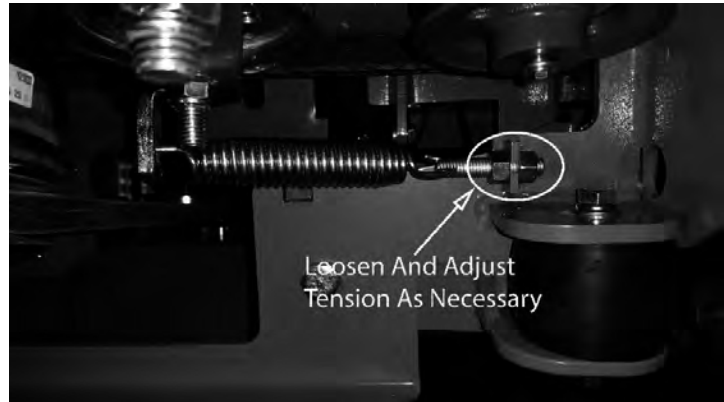


When adjusting the tracking on the mower, the length of the pushrods can be changed by screwing the pivot joint in or out on the ends of the rods. Shortening the overall length of the rod slows the pump down. Lengthening the rod will increase the speed of the pump.

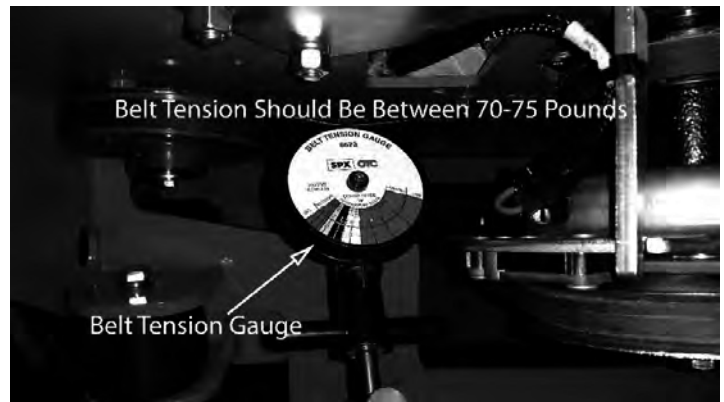


SECTION 2: DRIVE BELT

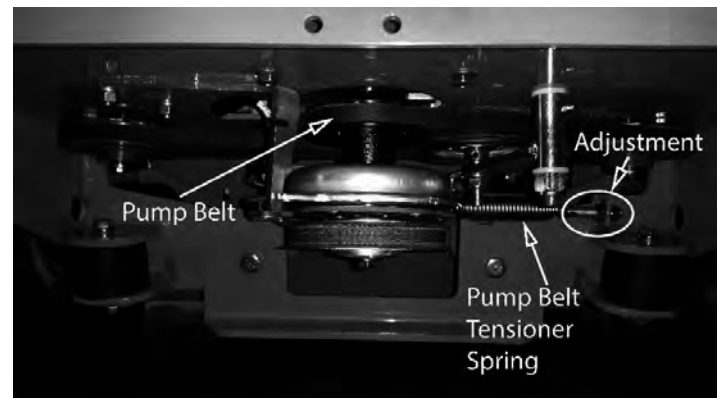
Shown on the right is the tensioner for your pump belt. Adjusting this will either increase or decrease tension on the belt. Use a 3/4" wrench to loosen the jam nuts and either tighten for more belt tension or loosen for less belt tension.



The belt tension should be set to 70-75 lbs.



Use a belt tension gauge to ensure the proper tension. Your dealer or service center will have a belt tension gauge or you can buy one (Part Number 041-9999-00).





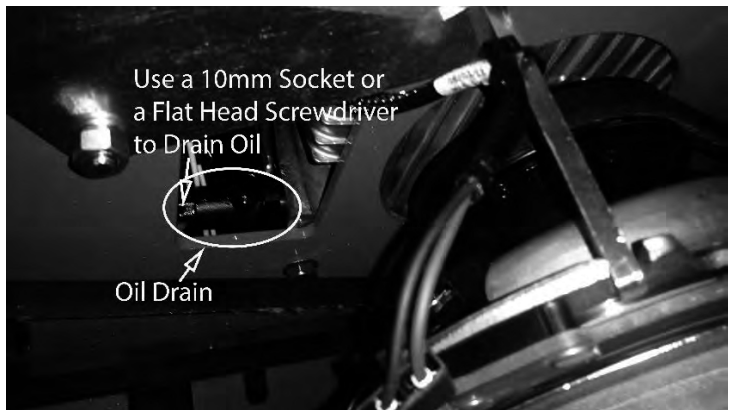
SECTION 3: ENGINE

Kawasaki FX850V

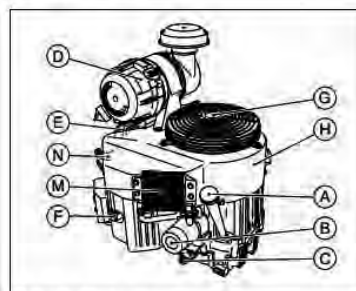
This machine has an oil drain hose installed on the engine to allow for easier oil changes. Bad Boy recommends that the oil and filter be changed after the initial 8 hrs of use, and at intervals of 50 usage hours or yearly, whichever occurs first after that. The oil capacity is 2 quarts. Bad Boy 10W-30 synthetic blend engine oil is recommended for maximum protection.

3.1 Changing your engine oil and oil filter:

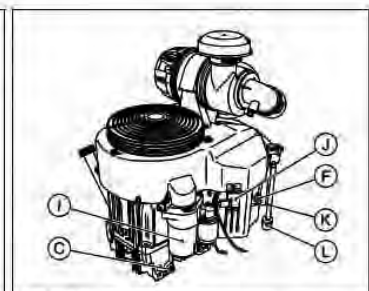
- 1) Remove oil dipstick and open oil drain using a 10 mm socket or a flat head screwdriver until oil begins flowing. Allow oil to completely drain. (Make sure to have an oil pan ready to capture old oil and properly dispose old oil.)
- 2) The oil filter is located on the right side of the engine. Clean area around oil filter. Place a container under the oil filter to capture any oil and remove filter. Wipe off mounting surface and reinstall drain plug. Torque to 10 ft-lb.
- 3) Place new filter in shallow pan with open end up. Fill with new oil until oil reaches the bottom of the threads. Allow 2 minutes for oil to be absorbed by filter material.



Location of Parts



A. Oil Gauge Filler
B. Oil Filter
C. Oil Drain Plug
D. Air Cleaner
E. Carburetor
F. Spark Plug Cap/Spark Plug
G. Guard



H. Fan Housing
I. Electric Starter
J. Voltage Regulator
K. Fuel Tube
L. Fuel Filter
M. Oil Cooler
N. Control Panel

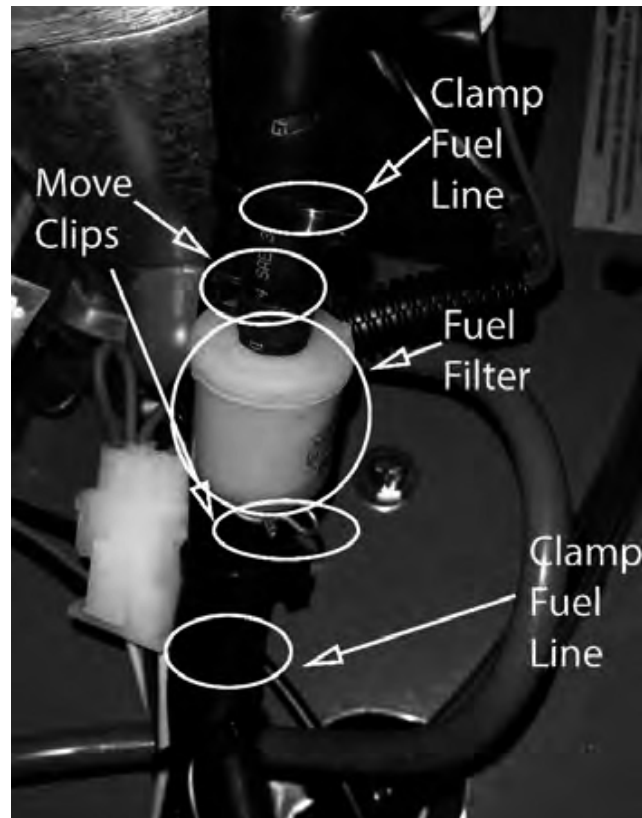
- 4) Apply a thin film of clean oil to rubber gasket on new filter
- 5) Refer to instructions on oil filter for proper installation.
- 6) Fill crankcase with approximately 2 quarts of new oil. Level should top of indicator on dipstick.
- 7) Reinstall oil fill/dipstick and tighten securely.
- 8) Start engine, check for oil leaks. Stop Engine; correct oil leaks. Recheck oil level
- 9) Dispose of used oil and filter in accordance with local ordinances.



The fuel filter is located in the fuel line on the left side of the engine by the starter motor. Replace the filter yearly. Prior to the removal of the old filter, note the direction of fuel flow as indicated on the filter. Have towels readily available in order to quickly remove any fuel leakage. Always use new hose clamps and ensure the security of the new filter by lightly pulling on each hose. Always perform maintenance outdoors or in a well ventilated area. Do not smoke or allow any open flames in the vicinity of any maintenance activities.

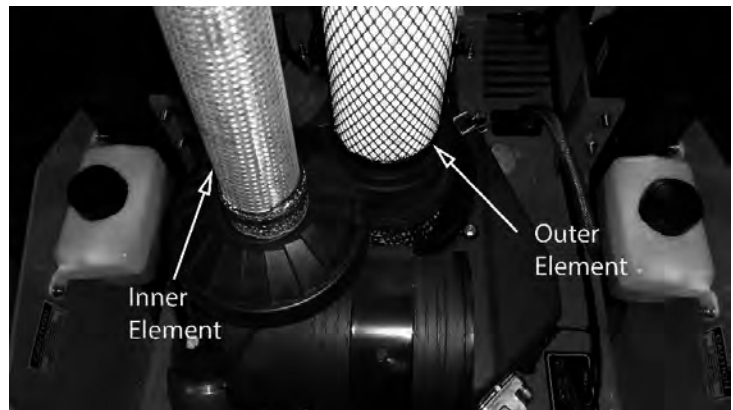
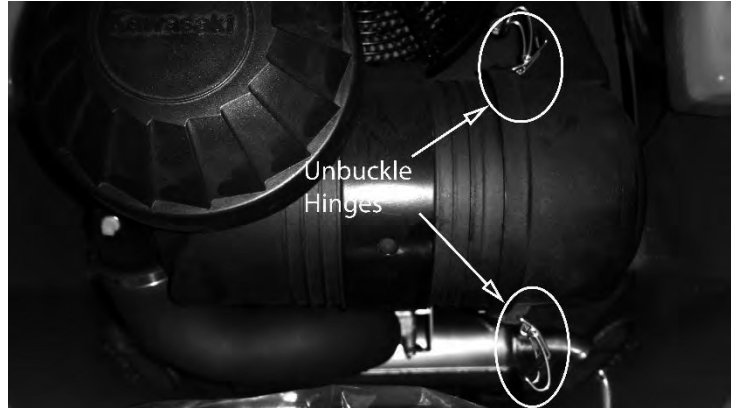
3.2 Changing your fuel filter:

- 1) Locate your fuel filter and mark the direction it is facing.
- 2) Clamp each side of the fuel filter to minimize and gas spills.
- 3) Remove the clips from each side of the fuel filter and remove the fuel filter.
- 4) Place the new fuel filter in the same direction as the old and place clips back into place and remove clamps.



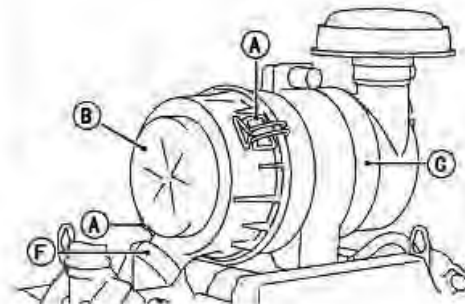


The air cleaner is the engine's only defense against damaging foreign particles. It is very important that the air cleaner element is inspected prior to each use. Remove the element and tap its sides in order to remove debris. Do not blow the filter out using compressed air. Doing so will greatly reduce the air cleaner's effectiveness. Replace yearly, more often in dusty environments. Adhering to these practices will help prevent loss of power and premature engine failure.

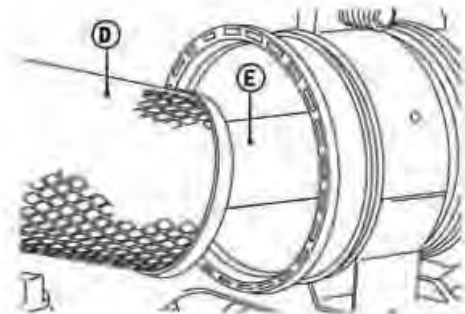


3.3 Changing the air cleaner

- 1) Locate the air filter and unbuckle the air filter cover.
- 2) Remove the cover and take out the outer white element and the inner blue element.
- 3) Clean or replace elements.
- 4) Reattach the cover making sure the air intake is facing down.



A. Retaining Clamps
B. Case
C. Air Cleaner Body
F. Cap (Dust Ejector Valve)



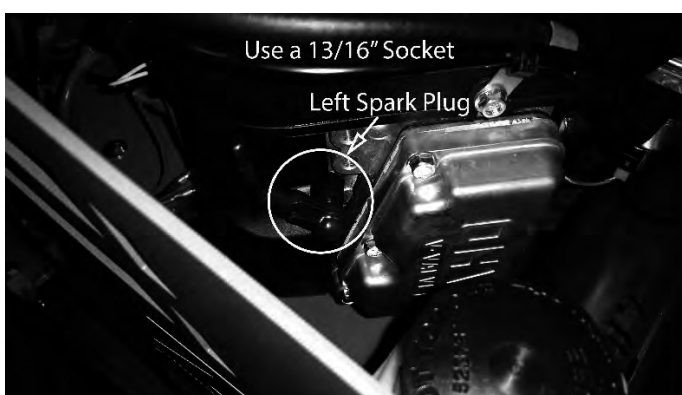
D. Primary Element
E. Secondary Element

3.4 Changing the spark plugs and checking the spark plug gap:

- 1) Remove the wire on the spark plug and use a 13/16" socket to remove the spark plug.

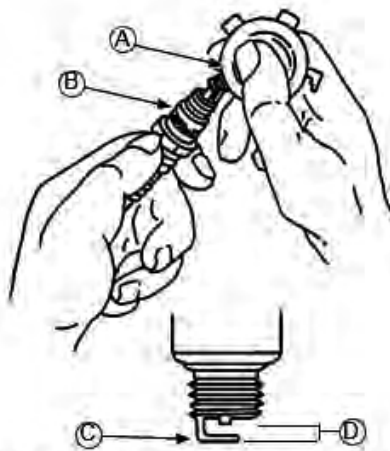


- 2) Check the gap or the spark plug to verify that it is 0.03 in using a feeler gauge.



- 3) If the spark plug is worn, overheated, wet, or carbon fouled replace the spark plug.

- 4) Install the plug into cylinder head and torque to 16ft-lbs. Be careful not to overtighten the spark plug.



A	Wire Gauge	B	Spark Plug Gap
C	Ground Electrode	D	Gap

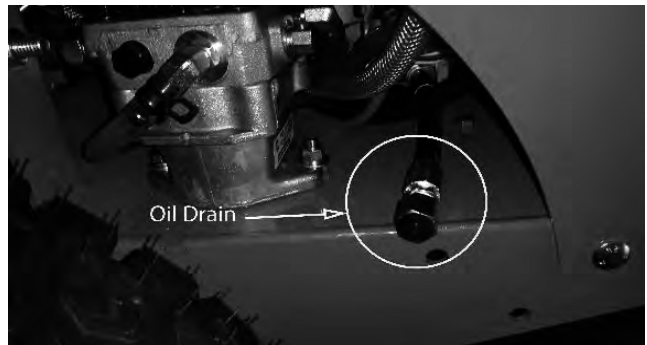


Vanguard 993cc

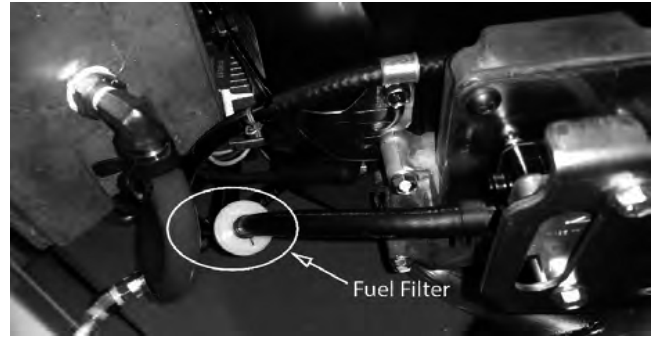
This machine has an oil drain hose installed on the engine to allow for easier oil changes. Bad Boy recommends that the oil and filter be changed after the initial 8 hrs of use, and at intervals of 50 usage hours or yearly, whichever occurs first after that. The oil capacity is 2 quarts. Bad Boy 10W-30 synthetic blend engine oil is recommended for maximum protection.

3.1 Changing your engine oil and oil filter:

- 1) Remove oil fill cap and open oil drain. Allow oil to completely drain. (Make sure to have an oil pan ready to capture old oil and properly dispose old oil.)
- 2) The oil filter is located on the right side of the engine. Clean area around oil filter. Place a container under the oil filter to capture any oil and remove filter. Wipe off mounting surface and reinstall drain plug. Torque to 10 ft.-lb.
- 3) Place new filter in shallow pan with open end up. Fill with new oil until oil reaches the bottom of the threads. Allow 2 minutes for oil to be absorbed by filter material.
- 4) Apply a thin film of clean oil to rubber gasket on new filter
- 5) Refer to instructions on oil filter for proper installation.
- 6) Fill crankcase with approximately 2 quarts of new oil. Level should top of indicator on dipstick.
- 7) Reinstall oil fill/dipstick and tighten securely.
- 8) Start engine; check for oil leaks. Stop Engine; correct oil leaks. Recheck oil level
- 9) Dispose of used oil and filter in accordance with local ordinances.

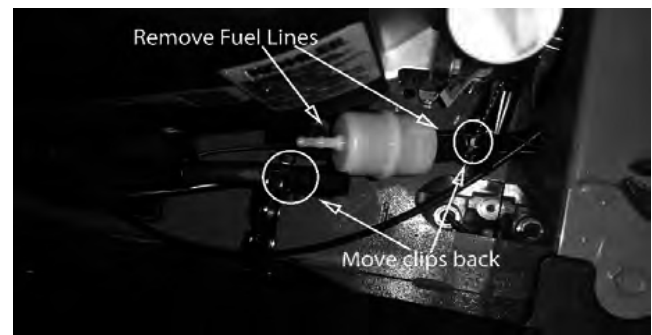


The fuel filter is located in the fuel line about 12" from the carburetor on the side of the engine. Replace the filter yearly. Prior to the removal of the old filter, note the direction of fuel flow as indicated on the filter. Have towels readily available in order to quickly remove any fuel leakage. Always use new hose clamps and ensure the security of the new filter by lightly pulling on each hose. Always perform maintenance outdoors or in a well ventilated area. Do not smoke or allow any open flames in the vicinity of any maintenance activities.



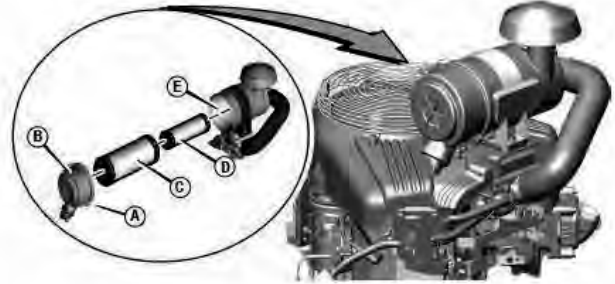
3.2 Changing your fuel filter:

- 1) Locate your fuel filter and mark the direction it is facing.
- 2) Clamp each side of the fuel filter to minimize and gas spills.
- 3) Remove the clips from each side of the fuel filter and remove the fuel filter.
- 4) Place the new fuel filter in the same direction as the old.





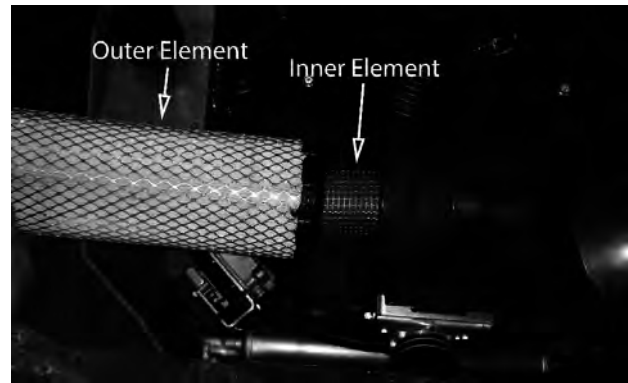
The air cleaner is the engine's only defense against damaging foreign particles. It is very important that the air cleaner element is inspected prior to each use. Remove the element and tap its sides in order to remove debris. Do not blow the filter out using compressed air. Doing so will greatly reduce the air cleaner's effectiveness. Replace yearly; more often in dusty environments. Adhering to these practices will help prevent loss of power and premature engine failure.



993 Vanguard Air Cleaner Component List	
A	Latches
B	Cap
C	Outer Air Filter
D	Inner Air Filter
E	Air Intake

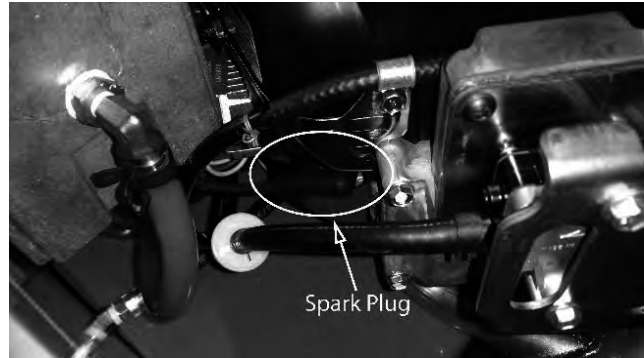
3.3 Changing the air cleaner:

- 1) Unlock the air cleaner cover and remove to access the air cleaner.
- 2) Remove the outer and inner air filters.
- 3) Replace inner and outer filter then place the inner filter into the air intake followed by fitting the outer filter over the inner filter.
- 4) Place cap back on and close the latches.



3.4 Changing the spark plugs and checking the spark plug gap:

1) Remove the wire on the spark plug and use a 5/8" socket to remove the spark plug.

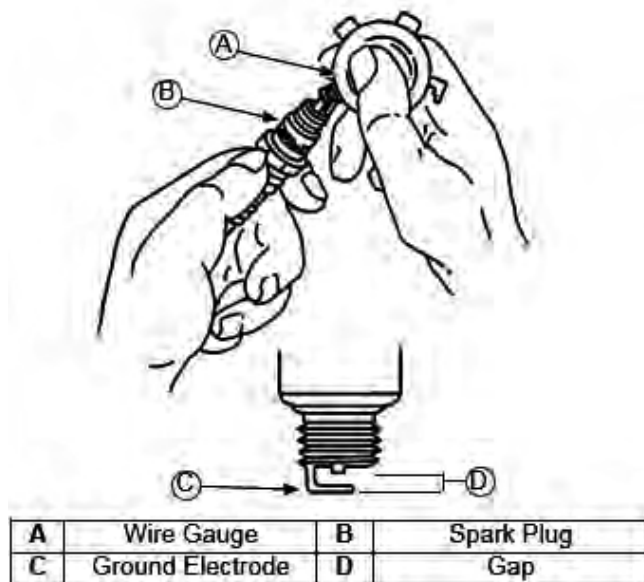


2) Check the gap on the spark plug to verify that it is 0.03 in using a feeler gauge.



3) If the spark plug is worn, overheated, wet, or carbon fouled replace the spark plug.

4) Install the plug into cylinder head and torque to 20ft.-lbs. Be careful not to overtighten the spark plug.



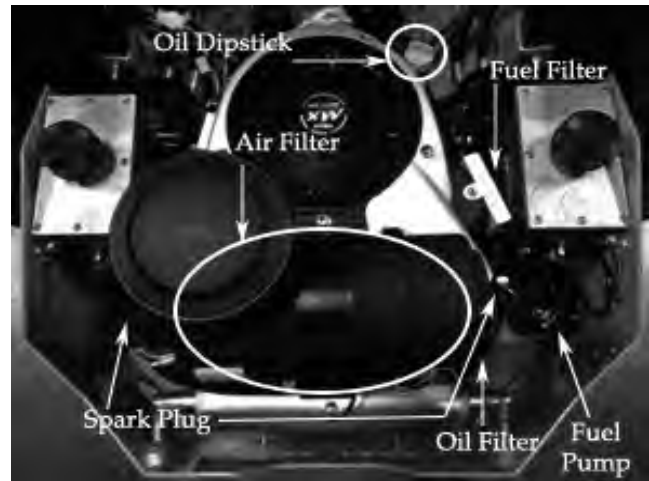


Yamaha 824cc EFI

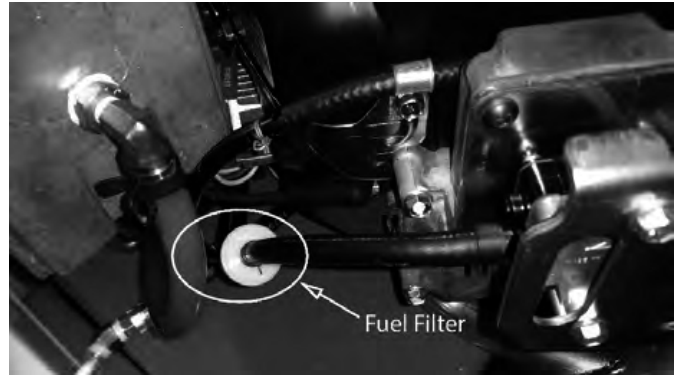
This machine has an oil drain hose installed on the engine to allow for easier oil changes. Bad Boy recommends that the oil and filter be changed after the initial 8 hrs of use, and at intervals of 50 usage hours or yearly, whichever occurs first after that. The oil capacity is 2 quarts. Bad Boy 10W-30 synthetic blend engine oil is recommended for maximum protection.

3.1 Changing your engine oil and oil filter:

- 1) Remove oil fill cap and open oil drain. Allow oil to completely drain. (Make sure to have an oil pan ready to capture old oil and properly dispose old oil.)
- 2) The oil filter is located on the right side of the engine. Clean area around oil filter. Place a container under the oil filter to capture any oil and remove filter. Wipe off mounting surface and reinstall drain plug. Torque to 10 ft. lb.
- 3) Place new filter in shallow pan with open end up. Fill with new oil until oil reaches the bottom of the threads. Allow 2 minutes for oil to be absorbed by filter material.
- 4) Apply a thin film of clean oil to rubber gasket on new filter.
- 5) Refer to instructions on oil filter for proper installation.
- 6) Fill crankcase with approximately 2 quarts of new oil. Level should top of indicator on dipstick.
- 7) Reinstall oil fill/dipstick and tighten securely.
- 8) Start engine, check for oil leaks. Stop Engine, correct oil leaks. Recheck oil level
- 9) Dispose of used oil and filter in accordance with local ordinances.

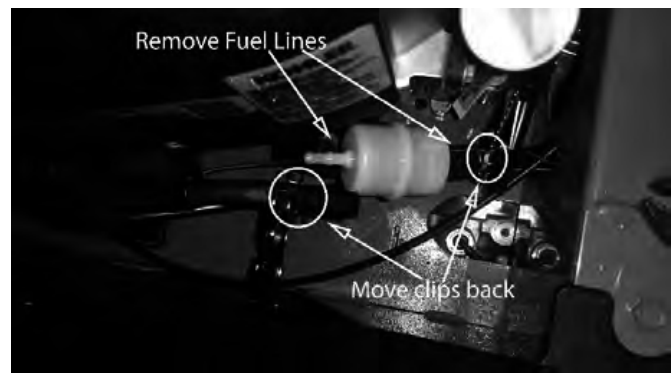
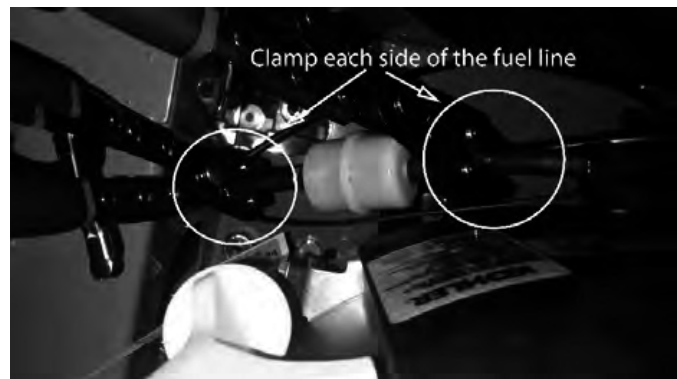


The fuel filter is located in the fuel line about 12" from the fuel pump on the side of the engine. Replace the filter yearly. Prior to the removal of the old filter, note the direction of fuel flow as indicated on the filter. Have towels readily available in order to quickly remove any fuel leakage. Always use new hose clamps and ensure the security of the new filter by lightly pulling on each hose. Always perform maintenance outdoors or in a well ventilated area. Do not smoke or allow any open flames in the vicinity of any maintenance activities.



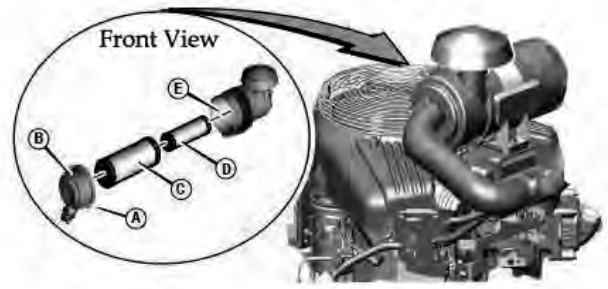
3.2 Changing your fuel filter:

- 1) Locate your fuel filter and mark the direction it is facing.
- 2) Clamp each side of the fuel filter to minimize any gas spills.
- 3) Remove the clips from each side of the fuel filter and remove the fuel filter.
- 4) Place the new fuel filter in the same direction as the old one.





The air cleaner is the engine's only defense against damaging foreign particles. It is very important that the air cleaner element is inspected prior to each use. Remove the element and tap its sides in order to remove debris. Do not blow the filter out using compressed air. Doing so will greatly reduce the air cleaner's effectiveness. Replace yearly; more often in dusty environments. Adhering to these practices will help prevent loss of power and premature engine failure.



A	Latches
B	Cap
C	Outer Air Filter
D	Inner Air Filter
E	Air Intake

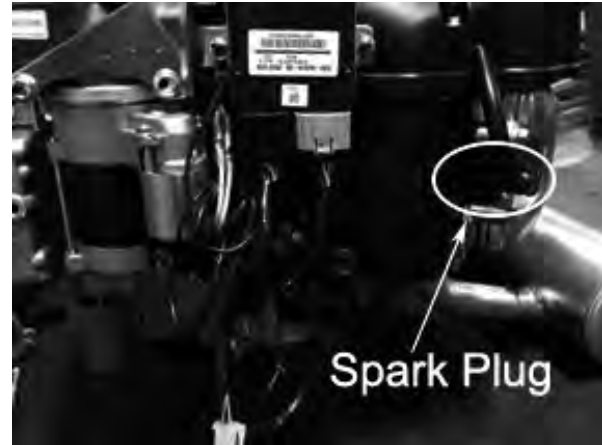
3.3 Changing the air cleaner:

- 1) Unlock the air cleaner cover and remove to access the air cleaner.
- 2) Remove the outer and inner air filters.
- 3) Replace inner and outer filter then place the inner filter into the air intake followed by fitting the outer filter over the inner filter.
- 4) Place cap back on and close the latches.



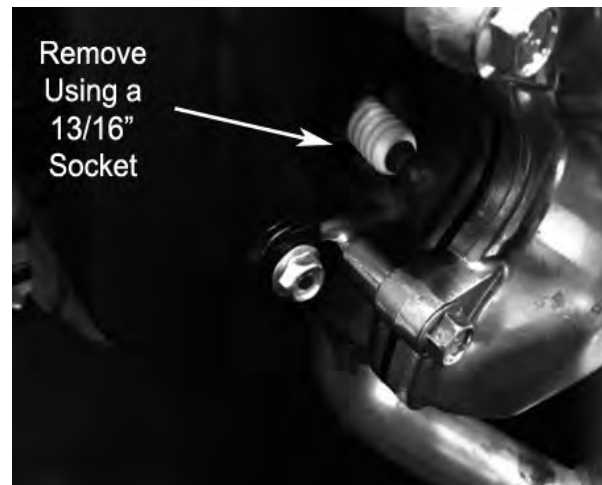
3.4 Changing the spark plugs and checking the spark plug gap:

1) Remove the wire on the spark plug and use a 13/16" socket to remove the spark plug.

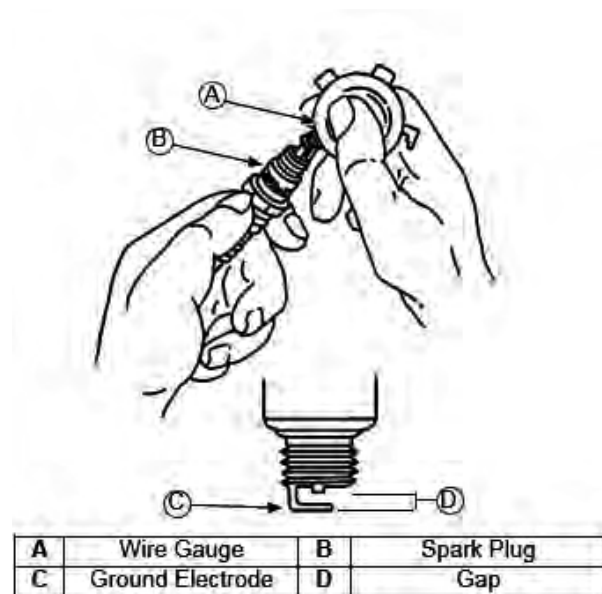


2) Check the gap on the spark plug to verify that it is 0.03 in using a feeler gauge.

3) If the spark plug is worn, overheated, wet, or carbon fouled replace the spark plug.



4) Install the plug into cylinder head and torque to 20 ft-lbs. Be careful not to overtighten the spark plug.





SECTION 4: ELECTRICAL SYSTEM

This mower is equipped with one protective fuse: a 30 amp main fuse (pictured to the right).

A blown fuse usually indicates a problem within the electrical system or an electrical component. Ensure the battery terminals are tightly fastened.

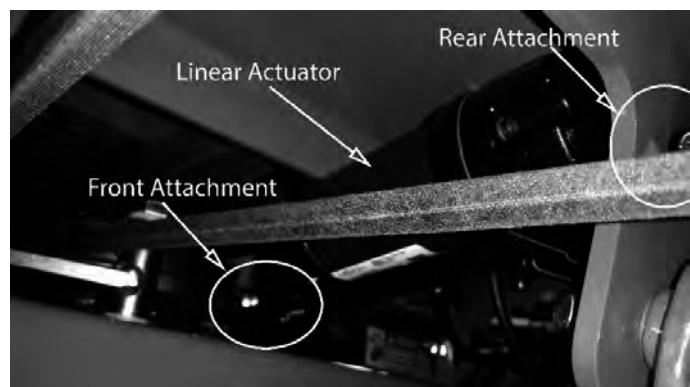
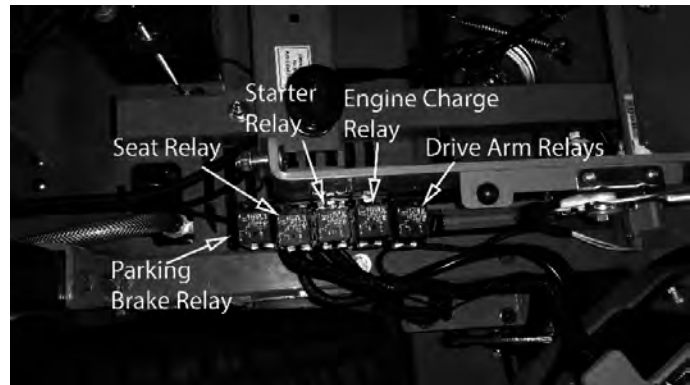
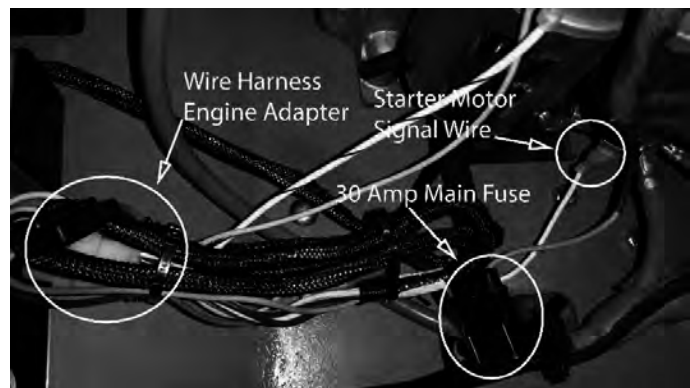
Never replace a fuse with one of a higher amperage rating or 'bypass' a fuse in any way. Doing so creates a significant fire hazard and can cause severe damage to the mower's electrical components. If a fuse is repeatedly blowing, contact your Bad Boy dealer.

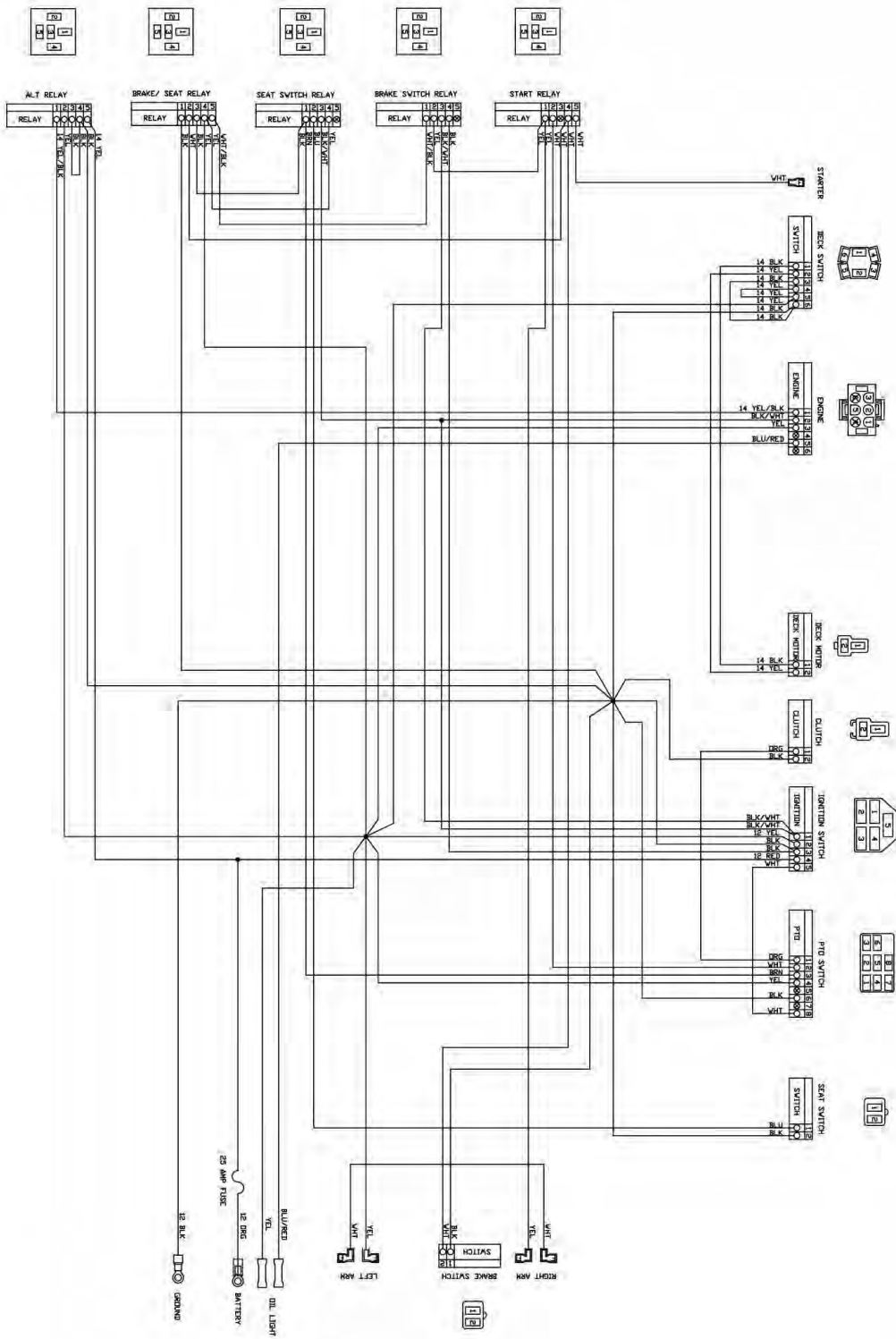
On most models, the red wire coming out of the engine is the charging wire from the alternator. Check for 13.6 - 14.2 volts dc at this wire with engine at full throttle.

If you are having issues starting your mower ensure the signal wire is connected to your starter solenoid.

Check the condition and connection of the relays located under the control panel. Ensure that they are clean and connected. Make sure that wire terminal ends have not been pushed out of the relay block.

The linear actuator is the mechanism that raises and lowers the deck. If it ever starts to make noise when raising and lowering the deck you might find it necessary to tighten the nuts and bolts on the front and rear of the actuator. Be careful not to overtighten these as you can damage the actuator. Also if your actuator ever stops working make sure to check the main fuse.



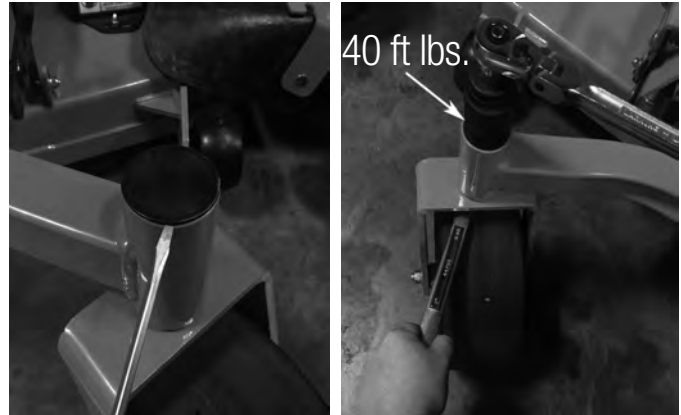


ALL WIRES 16GA UNLESS NOTED OTHERWISE.

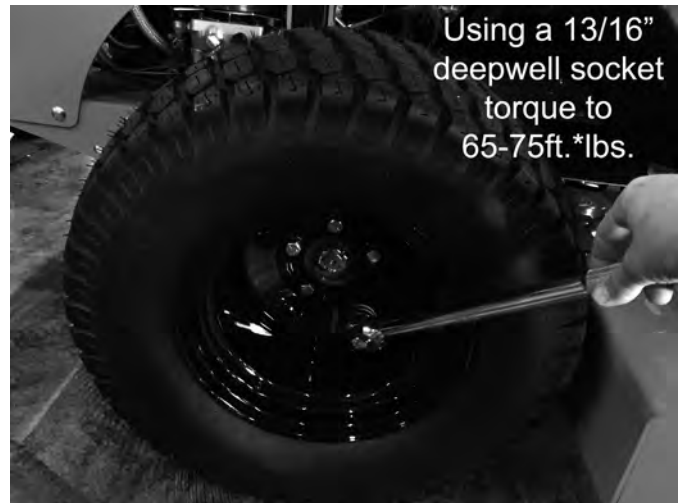


SECTION 5: FRAME

The front fork nuts require a torque of 40ft.-lbs. While applying this torque, turn the fork itself to ensure no damage is done to the bearing. This operation is only necessary if a repair requires it. To access the recessed front fork nuts, remove the dust cap by prying gently using a flat-head screwdriver. Once cap is removed, a 36mm socket will be needed for top nut. You will need to secure the bottom nut with a 1 1/2". wrench. Once you have torqued the nuts to 40 ft.-lbs., reapply the dust cap by gently tapping around its edges. Do NOT hit center of cap.



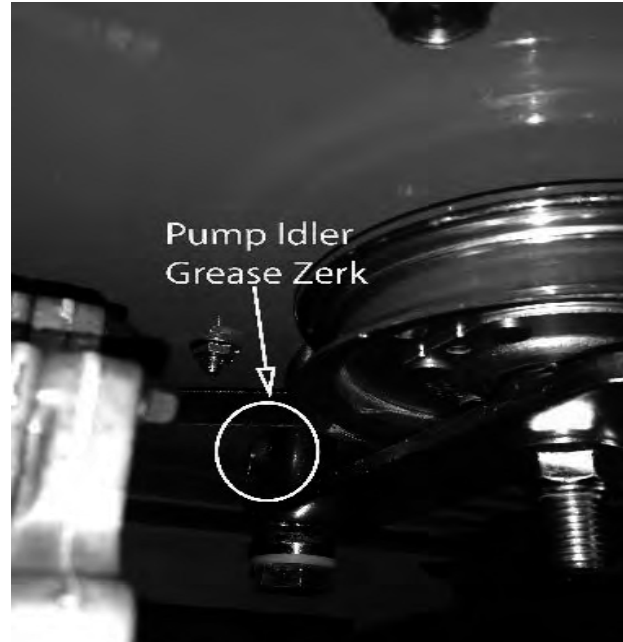
Torque rear wheel lugs to 65-75ft. lbs. Re-torque at every oil change and check every morning.



There are two grease zerks located on each of the two turnbuckles (4 Total). Grease at every oil change.



The pump belt tensioner is located under the engine and has a grease fitting at its pivot point. Grease at every engine oil change.



The deck belt tensioner is located at the rear of the deck and has a grease fitting on its pivot point. Grease at every engine oil change.



The control arm blocks have grease fittings located on the top of each block. Grease one time a year.

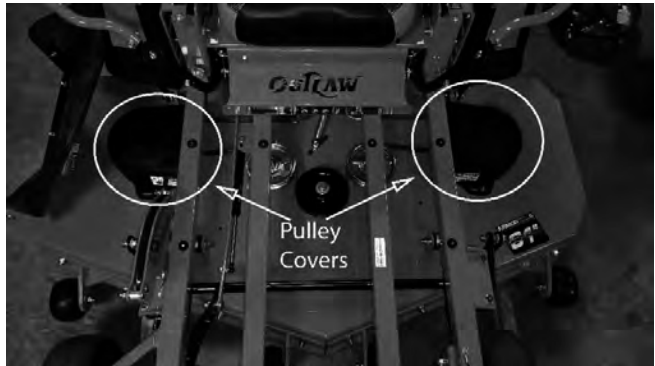




SECTION 6: CUTTING DECK

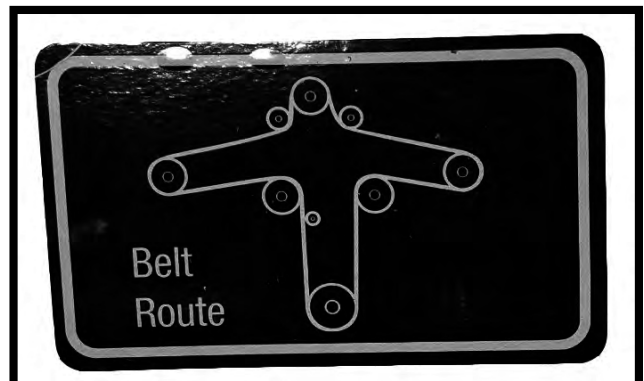
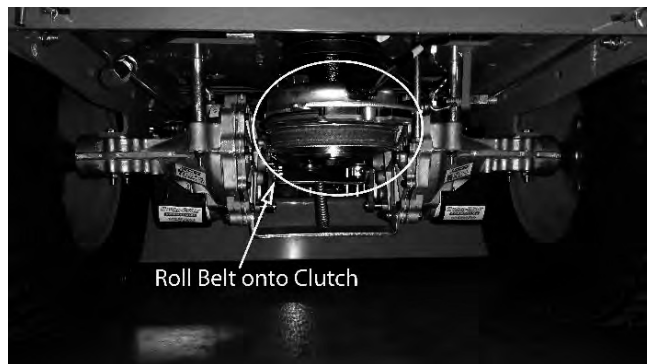
DECK BELT REMOVAL:

- 1) Remove ignition key.
- 2) Raise the deck to its highest position.
- 3) Remove the right pulley cover.
- 4) While lifting up on the belt (as shown in the photograph), rotate the pulley until the belt is free of the pulley. Exercise caution while performing this step as fingers can easily become caught between the belt and pulley.



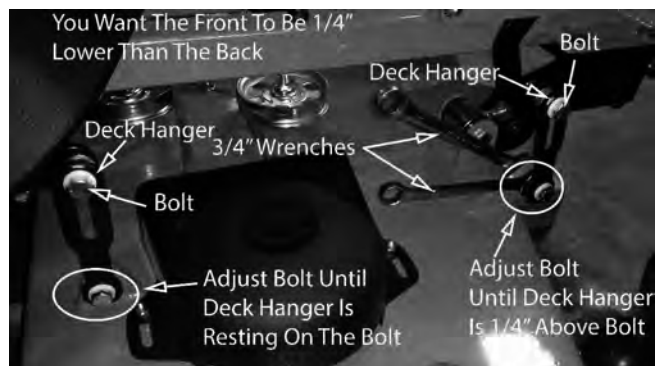
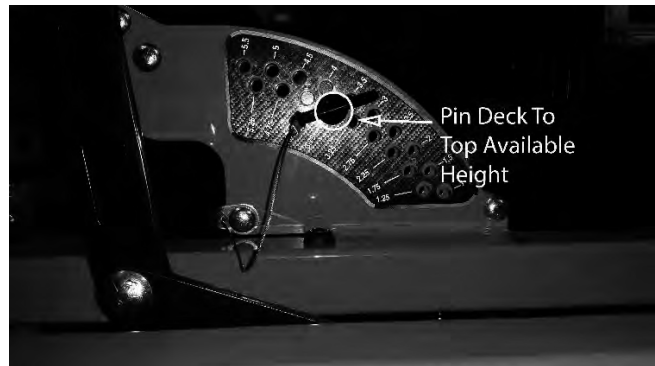
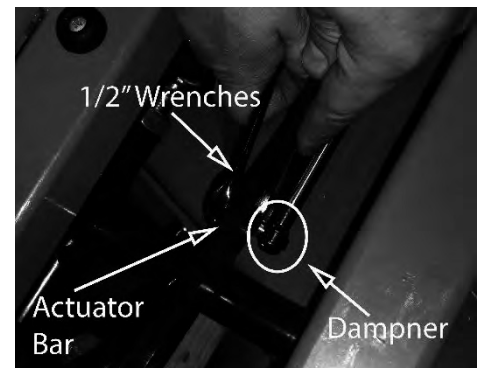
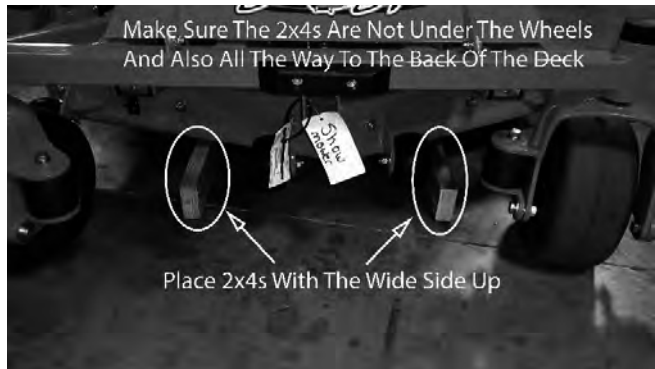
DECK BELT INSTALLATION:

- 1) Follow steps 1 and 2 from the deck removal section.
- 2) Take off both pulley covers and route the belt by following the belt route sticker. The easiest way to finish running the belt is routing the belt through the deck pulleys and carefully slipping the belt onto the clutch in the rear of the engine.
- 3) Verify that the belt is routed properly as improper routing can damage the spindles as well as the engine.



LEVELING THE DECK:

- 1) Start on a flat level surface and set the air pressure in all four tires to 12 psi.
- 2) Get two 2x4s and make sure that the wider sides are similar length.
- 3) Take off the foot pedal and raise the floor plate.
- 4) Lower the deck onto the 2x4s and pin the deck into its top available height. Remove the dampener that attaches to the actuator bar using two $\frac{1}{2}$ " wrenches.
- 5) Now ensure that the deck is level left to right and has a pitch down of $\frac{1}{4}$ " from the back to the front. This can be done by adjusting the tabs on the deck.
- 6) Loosen the bolts on the back of the deck using two $\frac{3}{4}$ " wrenches until the deck hanger is resting against the bolt.
- 7) Adjust the front deck hanger until there is $\frac{1}{4}$ " gap between the deck hanger and the bolt that it rests on.
- 8) Reattach the dampener to the actuator bar.
- 9) Place the floorplate down and place the foot pedal back on and you should be ready to mow.





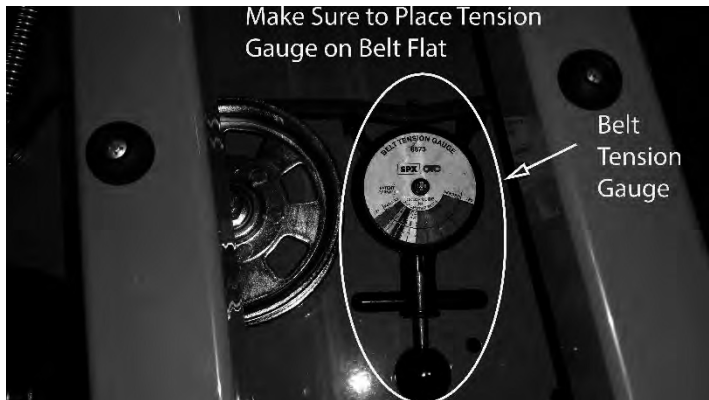
The deck spring tension is critical. If the tension is too high, premature failure of the deck belt and blade spindles can occur. If the tension is too low, the belt can 'jump off' or slip on the pulleys. This results in reduced cut quality and early belt failure.

Spring tension adjustments can be made by sliding the bolt shown above forward or backward in the slot of the deck. Belt tension should be 60-65 lbs for the 54" deck, 65-70 lbs for the 6" deck, and 70-75 lbs for the 72" deck with the deck at its lowest setting.

Use a belt tension gauge to ensure the proper tension. Your dealer or service center will have a belt tension gauge or you can buy one (Part Number 041-9999-00).

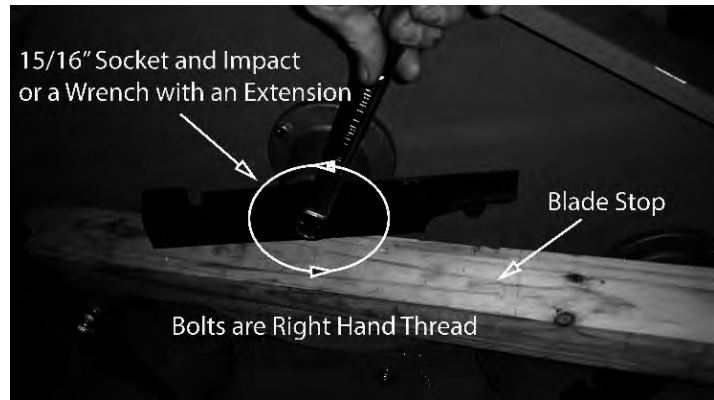
BLADE SHARPENING:

The blade on the top (see photo) was utilized long after replacement was required. In addition to a decline in cut quality, failure to replace a worn or damaged blade creates a major safety hazard. Bad Boy recommends that blade sharpening be performed by a professional.



BLADE REMOVAL:

To change blades, it may be easier to use a piece of wood to keep the blade from turning so that the bolt can be loosened. Use a 15/16" socket and impact Drill, or a wrench and an extension to gain more leverage. You might need to put a 3/4" wrench on top of the pulley bolt to keep the blade from spinning. Bolts used have right-handed threads.



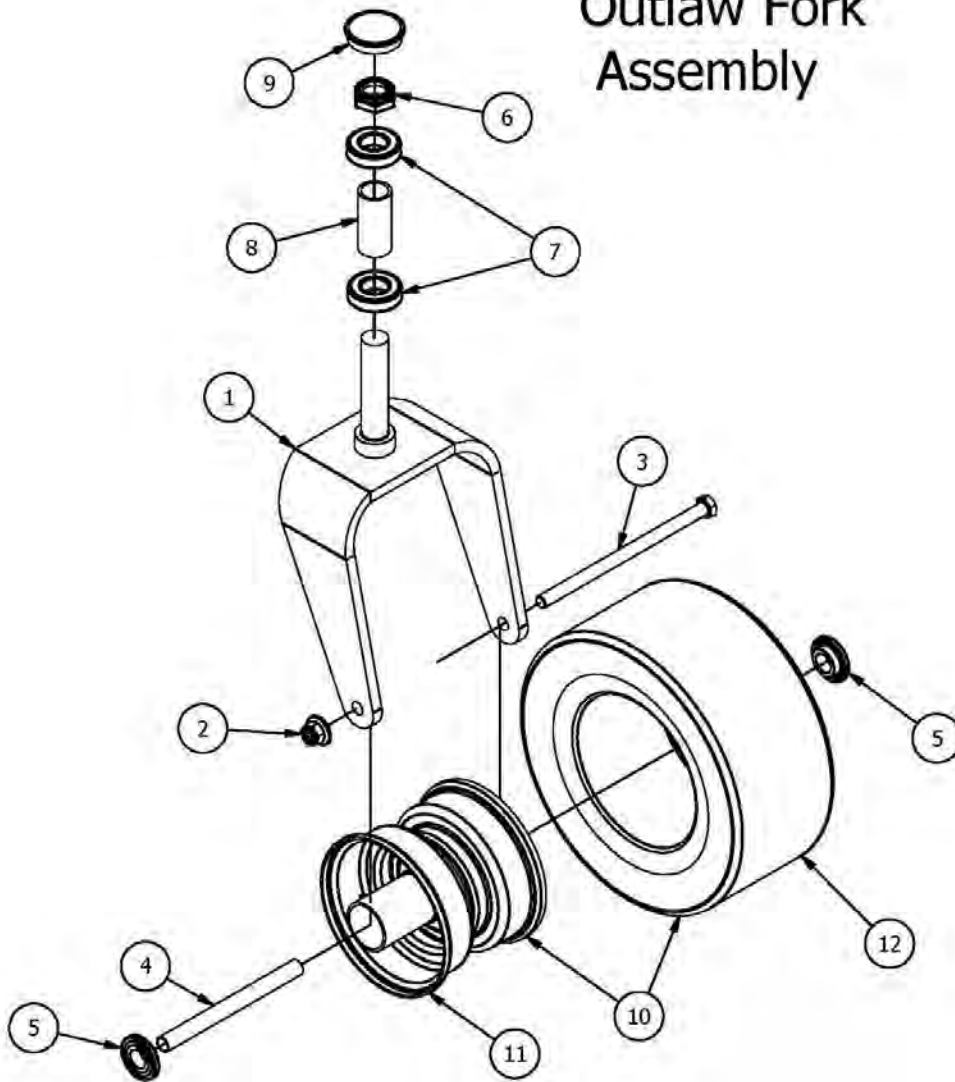
Re-torque the blade bolts to 90-110 lbs.

The blade spindles contain a sealed ball bearing inside the top and bottom of the spindle. The bearings are replaceable for a more cost effective repair.



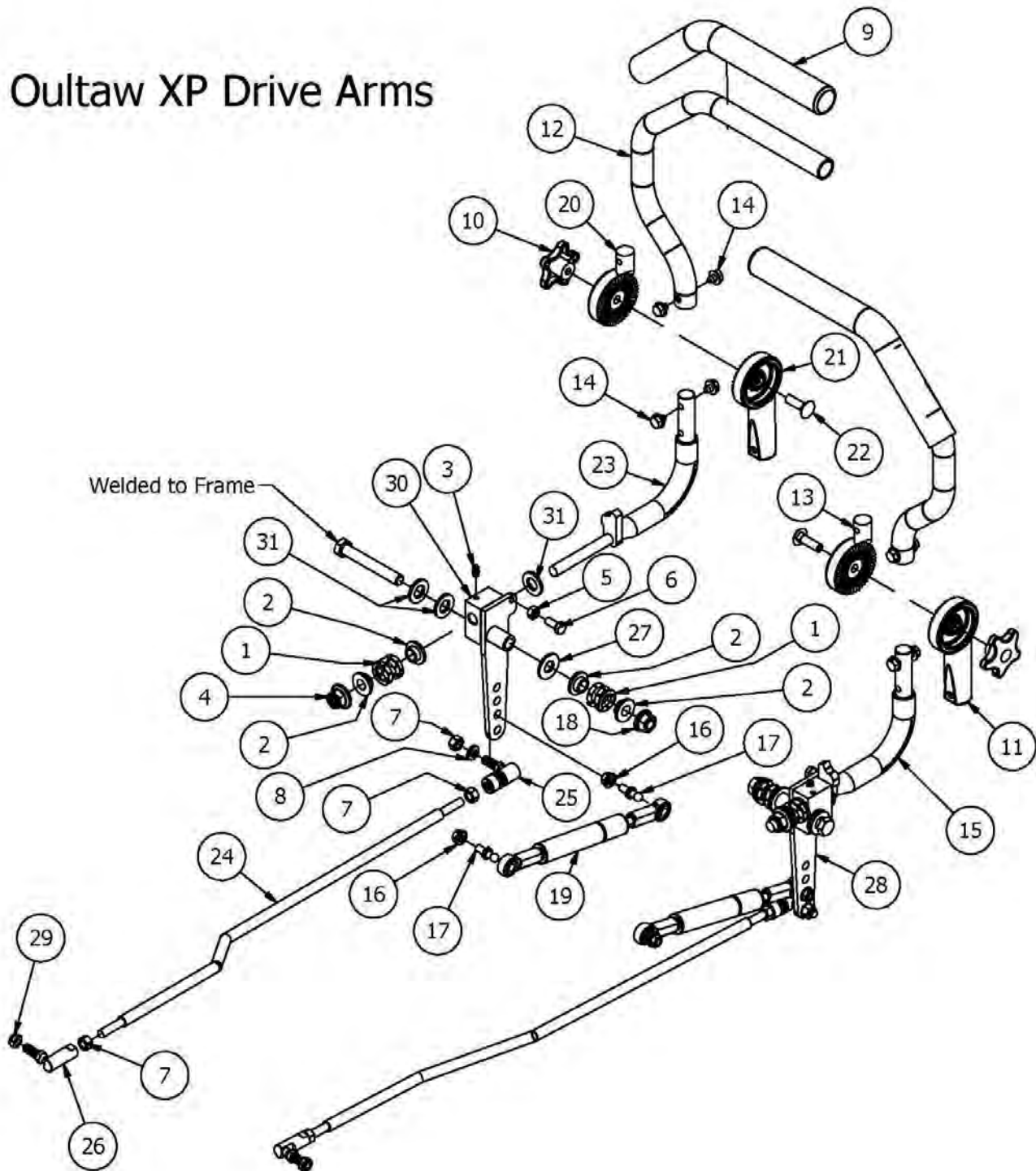


Outlaw Fork Assembly



Parts List			
ITEM	QTY	PART NUMBER	DESCRIPTION
1	1	023-7913-00	Front Fork
2	1	013-8050-00	1/2-13 Nylon Flange Nut
3	1	018-7010-00	1/2" x 9" GR 5 Hex Bolt
4	1	025-5202-00	Front Wheel Spanner
5	2	022-7010-00	1-3/4" Bearing-Large Bore Front Rim
6	1	013-9004-00	1" Nylock Half Nut- Fine
7	2	010-1050-00	Caster Bearing - 1641
8	1	025-0003-00	Front Bearing Spacer
9	1	014-2025-00	Bearing Cover
10	1	022-3085-00	Tire and black wheel assembly
11	1	022-3090-00	6" Front Black Wheel
12	1	022-5347-00	13 x 6.50 - Tire

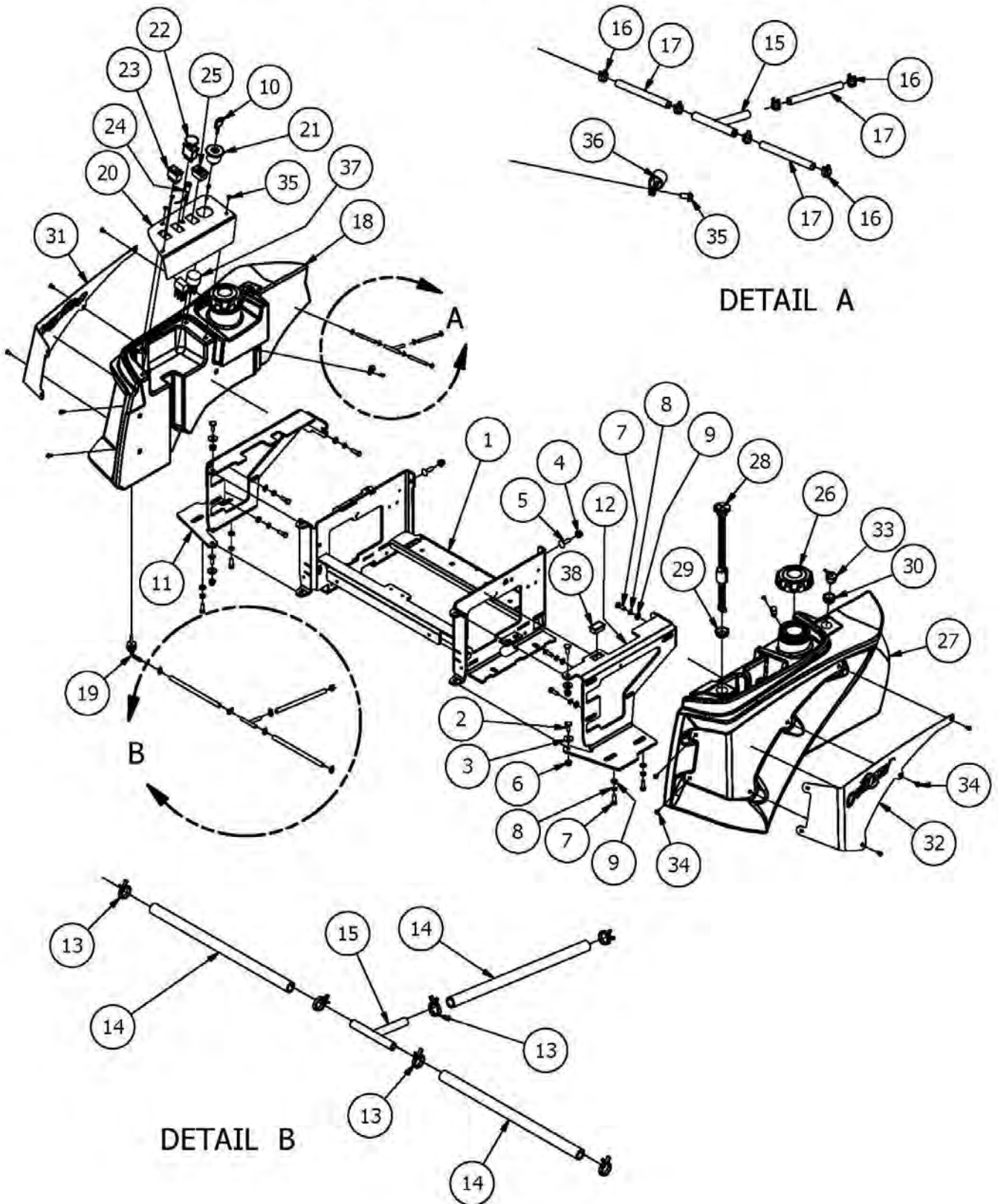
Oultaw XP Drive Arms





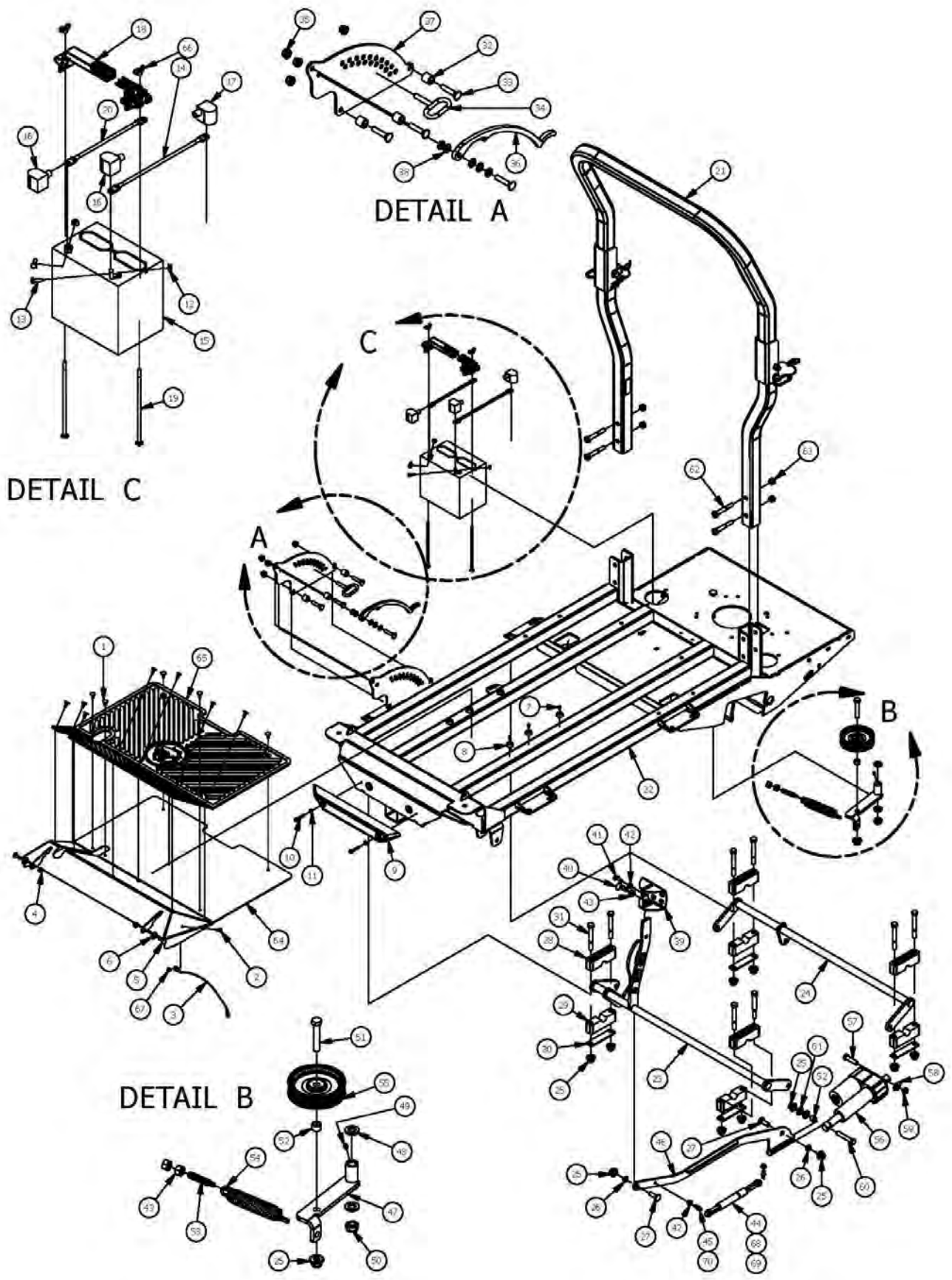
Parts List			
ITEM	QTY	PART NUMBER	DESCRIPTION
1	4	034-8025-00	Drive Lever Spring
2	8	019-8027-00	.515 ID Nylon Shoulder Washer
3	2	024-6034-00	1/4" Press in Grease Fitting
4	2	013-8050-00	1/2-13 Nylon Flange Nut
5	2	013-8043-00	5/16" Nut
6	2	018-8063-00	5/16" x 3/4" Hex Bolt
7	6	013-6051-00	3/8" Fine Threaded Jam Nut
8	2	019-5037-00	3/8" Lock Washer
9	2	069-4010-00	Black Steering Grip
10	2	045-5000-00	Black Knob for Adjustable Steering Arm
11	1	031-9015-70	Lower Adjuster - Steering Arm- Right
12	2	031-9010-00	Upper Tube-Adjustable Steering
13	1	031-9016-70	Upper Adjust Steering Arm- Right
14	8	018-2020-00	5/16-18 1/2 HWH Bolt-Steering
15	1	031-9025-70	Steering Arm Elbow - Right
16	4	013-9002-00	5/16" Flange Nut
17	4	018-2050-00	10mm Damper Ball Stud-Steering
18	2	013-0085-00	1/2-13 Hex Flange (GR.G) ZC
19	2	087-0001-00	Steering Damper
20	1	031-9017-70	Upper adjuster-Steering Arm- Left
21	1	031-9014-70	Lower Adjuster - Steering Arm- Left
22	2	018-5043-00	3/8" x 1 1/4" Carriage Bolt
23	1	031-9020-70	Steering Arm Elbow - Left
24	2	035-5350-00	outlaw XP Push Rod
25	2	099-2009-00	Quick Release Ball Joint
26	2	099-6046-00	3/8-24 Ball Joint
27	2	019-5702-00	1/2" Washer (Grade 8)
28	1	027-2017-00	Steering Block Assembly - Right
29	2	018-4011-00	3/8-24 Nylon Insert jam locknut
30	1	027-2018-00	Steering Block Assembly - Left
31	6	019-6017-00	.630 ID Plastic Washer

Outlaw Gas Tank Assemblies



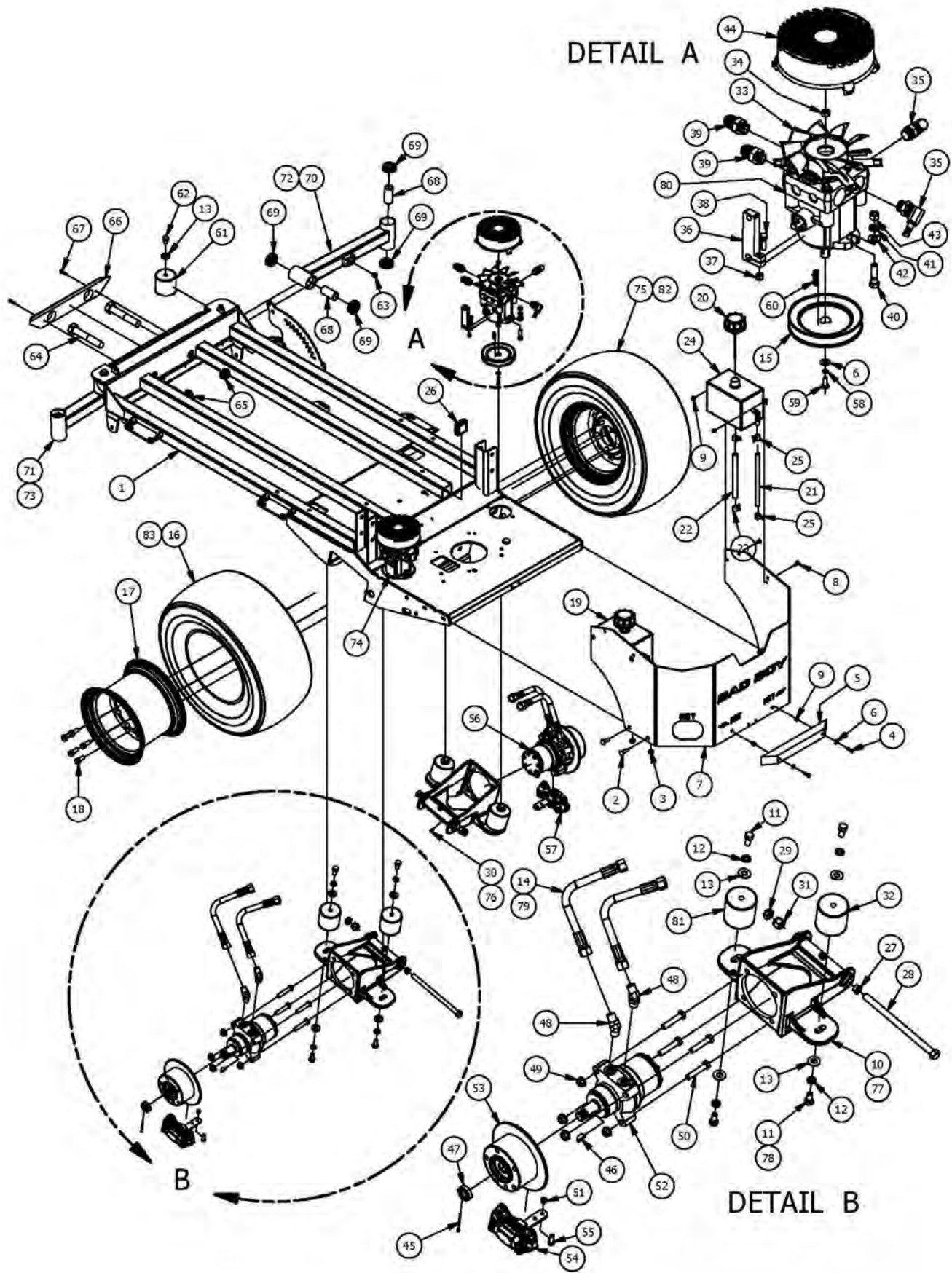


Parts List			
ITEM	QTY	PART NUMBER	DESCRIPTION
1	1	080-5116-17	2017 Outlaw Seat Bracket
2	4	018-8065-00	5/16-18 x 1 Carriage Bolts Zinc
3	4	019-6042-00	.360 ID Plastic Washer
4	2	013-5202-00	3/8" Nylock Flange Nut
5	2	018-5043-00	3/8" x 1 1/4" Carriage Bolt
6	4	013-8049-00	5/16-18 Nylon Insert Flange Nut Zinc Orange Nylon
7	10	018-2007-00	5/16" x 1" Bolt
8	10	019-8051-00	5/16" Lock Washer
9	10	019-8044-00	5/16" Flat Washer
10	1	042-9000-00	Ignition Key
11	1	031-2040-00	Outlaw 2015 Tank Support (Right)
12	1	031-2045-00	Outlaw 2016 Tank Support (Left)
13	6	072-8069-00	1/4 Fuel Hose Clamp
14	3	051-8067-00	1/4" Fuel Line Hose
15	2	073-8068-00	fuel line T
16	6	072-8070-00	3/16 Vinyl Clamp
17	3	051-8072-00	1/4" Vinyl Tubing
18	1	067-1180-50	Outlaw 2015 Fuel Tank (Right)
19	2	067-6055-00	Fuel Tank Hose Nipple w/Filter
20	1	079-3360-00	Analog Control Panel Outlaw
21	1	077-8076-00	Ignition Switch
22	1	056-8058-00	PTO Switch
23	1	078-3000-00	Rocker Deck Lift Switch
24	1	089-1000-00	Oil Light
25	1	083-4013-00	Tachometer
26	2	066-8076-00	Fuel Cap (Kelch)
27	1	067-1190-50	Outlaw 2015 Fuel Tank (Left)
28	1	067-4080-00	Fuel Gauge w/Grommet
29	1	067-6054-00	Grommet for Fuel Gauge
30	2	067-6053-00	ROV Grommet
31	1	079-3280-00	Outlaw Tank Panel (Right)
32	1	079-3281-00	Outlaw Tank Panel (Left)
33	2	067-6060-00	Rollover Valve - Black
34	10	018-2012-00	1/4" x 1/2" BS C/S 18-8 SS
35	6	018-2010-00	10-32 x 3/8" Button Socket Head Bolt
36	2	072-0001-00	3/8 Cable Clamp-Black Nylon
37	1	086-2050-00	Wiring Harness
38	1	018-1040-00	Light Plug



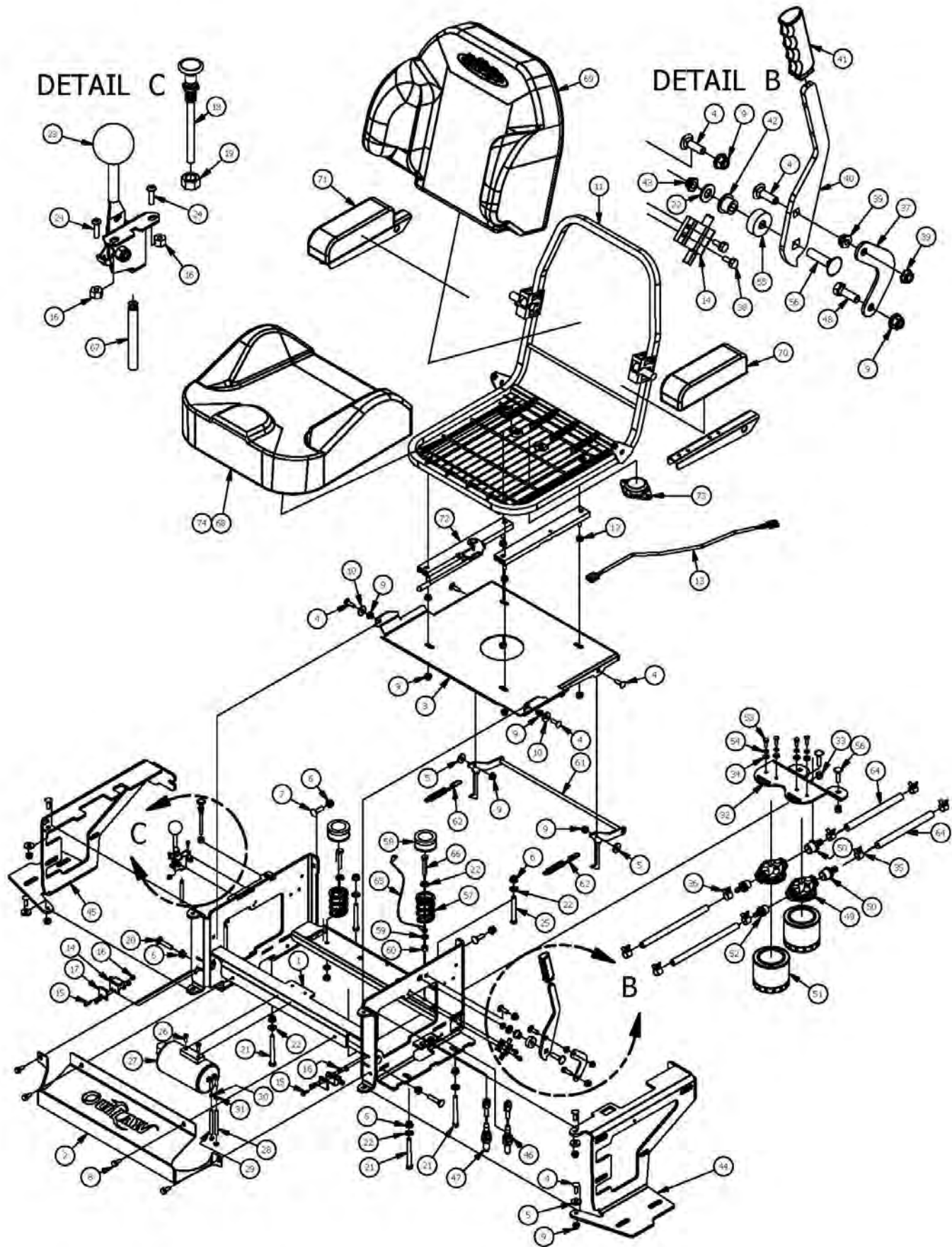


Parts List				
ITEM	QTY	PART NUMBER	DESCRIPTION	
1	12	040-6080-00	Patches Fastener	
2	1	018-8064-00	1/4" x 5/8" BS 1/5 19-8 SS	
3	1	064-2006-00	Floor board Cable W/ Swivel Ends	
4	2	019-8049-00	5/16" Nylock Flange Nut Zinc	
5	2	018-8065-00	5/16" x 1" Carriage Bolt	
6	2	019-6042-00	.360 ID Plastic Washer	
7	6	030-8050-00	#10 x 1/2" Self Tapping Screw	
8	6	029-4010-00	Button Bumper	
9	1	029-8000-00	2017 XP Bumper	
10	2	030-7029-00	1/4" x 1 1/2" Self Tapping Screw	
11	2	019-7040-00	1/4" Flat Washer	
12	2	019-9001-00	1/4-20 Hex Flange Nuts Zinc w/ Serrations	
13	2	018-8052-00	1/4-20 x 3/4 GR 5 Hex Bolt Zinc	
14	1	064-5300-00	24" Red Battery Cable	
15	1	065-8049-00	Battery	
16	2	103-5400-00	Black Boot For Ground Cable	
17	1	103-5300-00	Red Boot	
18	1	043-8929-00	Battery Hold Down	
19	2	018-9050-00	1/4-20 X 8 Carriage Bolt	
20	1	086-0025-00	Ground Cable	
21	1	089-0002-00	2015 Outlaw 2x2 Folding PCPS	
22	1	070-5200-17	2017 XP Frame	
23	1	038-6030-00	2015 Outlaw Act Bar Assembly (Front)	
24	1	028-6040-00	2015 Outlaw Act Bar Assembly (Rear)	
25	12	013-6050-00	1/2-13 Nylon Flange Nut	
26	2	052-3000-00	Bushing- SF-1620-4	
27	2	018-0008-00	1/2 x 1 1/2 Carriage Bolt	
28	4	017-9000-00	Two Piece Pillow Block (Male)	
29	4	017-9050-00	Two Piece Pillow Block (Female)	
30	4	017-9025-60	Two Piece Pillow Block Strip	
31	8	019-5019-00	1/2" x 4" Bolt (Grade 8)	
32	8	025-5205-00	Spacer 3/4 OD x 1/2 ID x 3/4 Length	
33	4	018-0009-00	3/8" x 1 3/4 Carriage Bolt	
34	1	040-4000-00	Deck Height Lever pin	
35	4	013-5202-00	3/8" Nylock Flange Nut	
36	1	031-0100-00	Outlaw Deck Lever Lock	
37	1	026-2100-00	Outlaw Height Indicator Plate (Outer)	
38	5	019-2002-00	.390 x .750 x .062 Nylon Washer	
39	1	026-0012-00	Outlaw Deck Lift Pedal	
40	1	040-5000-00	Full Pin	
41	1	030-0010-00	5/16-18 x1 Thumb Screw Zinc	
42	2	013-9002-00	5/16" Flange Nut	
43	3	013-7018-00	1/2" Hex Nut	
44	1	087-9400-00	200 lb Gas Spring- 54" Deck outlaw	
45	2	018-2050-00	10mm Damper Ball Stud Steering	
46	1	022-6025-00	Outlaw Linkage Bar Supp Frame	
47	1	039-5944-00	Pump Idler Bracket	
48	2	019-6017-00	.630 ID Plastic Washer	
49	1	024-6034-00	1/4" Press in Grease Fitting	
50	1	013-5301-00	5/8" Nylock (1/2 Jam)	
51	1	018-6036-00	1/2" x 2 3/4" Hex Bolt	
52	2	025-7036-00	1/2" x 1/2" Spacer	
53	1	018-2004-00	All Thread Pump Idler Tensioner	
54	1	034-2009-00	2009 Deck/Pump Idler Spring	
55	1	032-6001-00	4 3/4" Idler Pulley	
56	1	095-7033-00	Actuator	
57	1	018-0022-00	1/2-13x2 Grade 8 Hex Bolt	
58	1	019-5702-00	1/2" Washer (Grade 8)	
59	1	018-4010-00	1/2" Nylock Nut (1/2 Jam)	
60	1	018-7016-00	1/2" x 3" Hex Bolt	
61	3	019-8054-00	.505 Nylon Spacer	
62	4	018-0050-00	1/2-13 X 3/25 Hex Bolt - Grade 5	
63	4	013-0005-00	1/2" Center Lock Nut	
64	1	079-3150-00	2017 XP Outlaw Floor Panel	
65	1	081-2005-00	2016 Outlaw Floor Mat	
66	2	012-8051-00	1/4" Wing Nut	
67	1	013-9029-00	1/4-20 Hex Nut	
68	1	087-6100-00	250 lb Gas Spring 61" Deck Outlaw	
69	1	087-7200-00	300 lb Gas Spring 72" Deck Outlaw	
70	2	018-2049-00	13mm Ball Stud (72" Deck Only)	





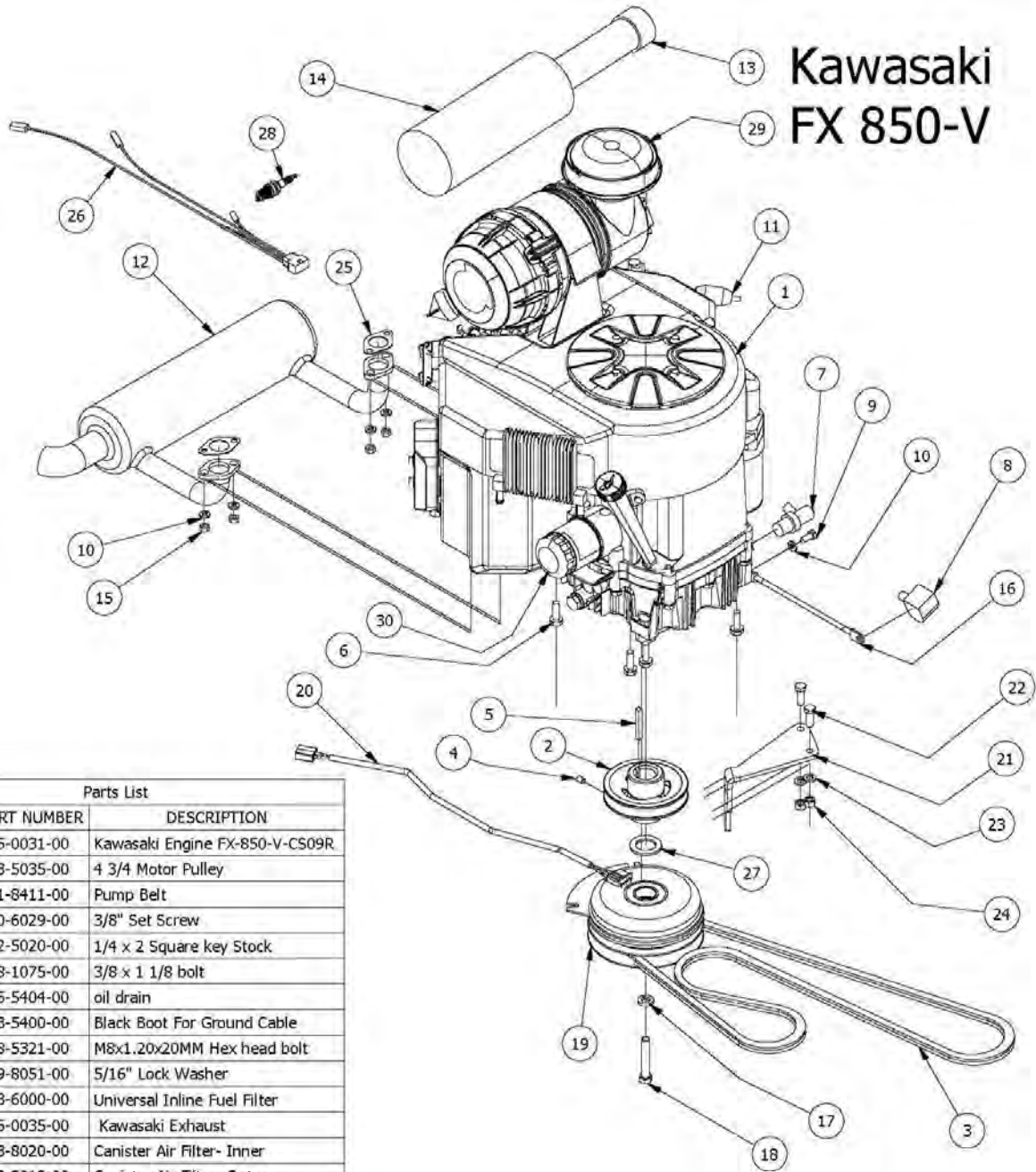
Parts List				Parts List			
ITEM	QTY	PART NUMB	DESCRIPTION	ITEM	QTY	PART NUMB	DESCRIPTION
1	1	070-5380-17	2017 XP Frame	51	2	013-8047-00	5/16-18 Nylock Insert Locknut
2	4	018-5043-00	3/8" x 1 1/4" Carriage Bolt	52	1	015-4501-00	15cc Parker Wheel Motor- Left
3	4	013-5041-00	3/8 Nylock Nut	53	2	092-5201-00	Brake Disk
4	2	018-4702-00	1/4-20 x 1-1/4 GR 5 Hex Bolt	54	1	092-7001-00	XP/AOS Left Brake Caliper
5	1	029-7037-00	14" Rubber Bumper	55	2	018-6049-00	3/8" x 1" Hex Bolt
6	4	019-7040-00	1/4" Flat Washer	56	1	015-4500-00	15cc Parker Wheel Motor- Right
7	1	026-2190-00	Outlaw Rear Plate	57	1	092-7000-00	XP/AOS Right Brake Caliper
8	4	019-8040-00	1/4" x 3/4" Carriage Bolt	58	2	019-4008-00	1/4" Lock Washer
9	6	013-2050-00	1/4-20 Nylon Insert flange Nut	59	2	018-0024-00	M6-1.0 X 16MM Hex Bolt
10	2	070-8000-00	60 Suspension kit Wheel Motor	60	2	042-5301-00	5MM X 1 Square Key Stock
11	8	018-2030-00	1/2" x 1" Hex Bolt	61	2	032-9002-00	Vibration Mount- Red Dot
12	8	019-5007-00	1/2" Lock Washer	62	2	018-1055-00	1/2" x 3/4" Hex Bolt
13	10	019-5702-00	1/2" Washer (Grade 8)	63	2	014-3010-00	5/8 Round Insert
14	4	051-2000-00	18" hose Assembly W/forged 45 Degr	64	2	018-0026-00	1-14 x 5.5 Hex Bolt Grade 8 Zinc Yellow
15	2	033-5003-00	5" Pump Pulley	65	2	013-9004-00	1" Fine Thread Nut
16	2	022-5349-00	24 x 12 - 12 Tire Pro Maxxis	66	1	029-8000-00	2017 XP Bumper
17	2	022-4070-00	12x12" Black Wheel For 2015 Outlaw	67	2	030-7040-00	1/4 x 1 Hex Head Tek screw
18	10	018-7033-00	1/2-20 x 1-1/2 Lug Bolts Zinc	68	2	025-0003-00	2016 Front Bearing Spacer
19	1	067-8051-00	Outlaw Hydraulic Tank Left	69	4	010-1050-00	Caster Bearing 2016 - 1641 Bearing
20	2	066-8050-00	Hydraulic Tank Cap W/Dipstick	70	1	250-2650-00	2017 XP Suspension Arm - Right
21	2	051-8063-00	3/8" Clear Hose	71	1	250-2600-98	2017 XP Arm Assembly - Left
22	2	051-8064-00	1/2 Clear Braided Hose Priced/Foot	72	1	250-2650-98	2017 XP Arm Assembly - Right
23	4	072-8066-00	1/2 Hose Clamp	73	1	250-2600-00	2017 XP Suspension Arm -Left
24	1	067-8050-00	Outlaw Hydraulic Tank Right	74	1	050-3000-00	Left Pump 12cc
25	4	072-8065-00	3/8" Hose Clamp	75	2	022-4050-00	24 x 12 - 12 Tire and Black Wheel Assembly
26	2	014-9000-00	2X2 Frame Plug	76	2	024-8000-00	3/8" Threaded Grease Fitting (60" Suspension Kit Wheel Moter)
27	4	032-5056-00	Flange Bushing for Deck Arm - Upper	77	2	070-8001-00	72" Suspension Kit Wheel Motor
28	2	018-2051-00	5/8"x10" Hex Bolt (Grade8)	78	8	018-2080-00	1/2-13 x 1 1/4 Hex Bolt (Only on 60" Suspension Kit Wheel Motor)
29	2	013-5301-00	5/8" Nylock (1/2 Jam)	79	4	051-6005-00	18" Hydraulic Hose Only
30	2	024-3050-00	1/4" Drive in Grease Fitting (72" Suspension Kit Wheel Moter)	80	1	050-3050-00	Right Pump 12cc
31	2	013-7021-00	5/8 Std NC Nylock Nut	81	2 (72" Deck)	032-8999-00	Vibration Mount-Blue Dot
32	4 (2 - 72" Deck)	032-9000-00	Vibration Mount-Green Dot	82	1	022-4080-00	2017 Outlaw Reaper Turf Wheel and Tire Assembly 24x12-12
33	2	015-9999-00	Hydraulic Fan	83	1	022-4075-00	2017 Outlaw 24x12-12 Reaper Tire
34	2	013-8043-00	5/16" Nut				
35	4	024-5206-00	3/8" X 9/16"-18 ORB Male Fitting (S,A-2 P-4)				
36	2	031-5333-00	Pump Arm				
37	2	013-8073-00	1/4" Nylock Nut				
38	2	018-4007-00	1/4-20 x 1 GR 5 hex bolt zinc				
39	4	024-5343-00	Hydraulic Pump Fitting 6400-10				
40	4	018-6012-00	3/8" x 1 1/2" Hex Bolt				
41	4	019-5037-00	3/8" Lock Washer				
42	4	019-5029-00	3/8" Flat Washer				
43	4	013-6014-00	3/8" Hex Nut				
44	2	014-5600-00	Fan Guard 6" Fits wheel Motor Pumps				
45	2	020-7022-00	1/8x2-1/4 cotter pin Zinc				
46	2	042-7041-00	Woodruff Key				
47	2	013-7050-00	1" Castle Nut for Wheel Motor				
48	4	024-0050-00	45 Degree Fitting 31704-10-10				
49	8	013-5300-00	1/2" Flange Nut				
50	8	018-6036-00	1/2" x 2 1/2" Hex Bolt				





Parts List			
ITEM	QTY	PART NUMBER	DESCRIPTION
1	1	080-5116-17	2017 Outlaw Seat Bracket
2	1	014-2100-00	Outlaw Cockle Cover
3	1	026-2016-00	2016 Seat Plate Outlaw
4	10	019-8085-00	5/16" x 1" C carriage Bolt
5	6	019-6012-00	383 Plastic Washer
6	10	013-5202-00	3/8" Nylock Flange Nut
7	2	018-5043-00	3/8" x 1 1/4" Carriage Bolt
8	4	080-7093-00	5/16 x 3/4 washer head type F screw
9	14	018-6099-00	5/16" Nylon Flange Nut
10	2	019-6050-00	1360 ID Plastic Washer-Black
11	1	071-5060-00	2015 Outlaw Seat
12	4	013-9002-00	5/16" Flange Nut
13	1	026-5300-00	Seat Switch Adapter
14	3	077-8073-00	Safety Switch
15	4	018-8058-00	10-24 x 1 BS C/S 18-8 SS
16	6	013-8019-00	10-24 Nylon Insert Locknut
17	2	025-6041-00	Switch Block Plastic
18	1	054-8017-00	Choke
19	1	013-6051-00	3/8" Fine Threaded Jam Nut
20	2	018-0069-00	3/8 x 1 3/4 Carriage Bolt
21	4	019-1010-00	3/8-16x3-1/2 grade 5 hex bolt
22	9	019-5029-00	3/8" Flat Washer
23	1	065-2012-00	Universal Throttle
24	2	018-5200-00	10-24 x 5/8 BS Button Head Bolt
25	2	018-4700-00	3/8-16x3 -grade 5 hex bolt
26	2	018-0024-00	M6-1.0 X 16MM Hex Bolt
27	1	067-0020-00	Carbon Canister
28	1	051-8073-00	1/4" Vinyl Tubing
29	1	051-8073-00	3/16 Vinyl Tubing
30	2	072-8073-00	3/16" Vinyl Hose Clamp
31	2	072-8070-00	3/16 Vinyl Clamp
32	1	029-2130-00	Outlaw Filter Bracket
33	2	013-5041-00	3/8 Nylock Nut
34	4	019-7040-00	1/4" Flat Washer
35	4	072-8066-00	1/2 Hose Clamp
36	4	072-8065-00	3/8" Hose Clamp
37	1	039-0190-00	Brake Cable Adapter Bracket
38	2	018-1080-00	12-24x 1/2 HWB Bolt
39	2	013-0005-00	5/16-18 Nylock Jam Nut 1/2 Nut
40	1	069-1000-00	Brake Handle Cam Over
41	1	069-7000-00	Rubber Brake Grip 62Y2T 2013
42	1	022-5050-00	Bronze Bushing SF-1220-8
43	1	013-0009-00	3/8-16 Hex Flange Top 1, N
44	1	021-2045-00	Outlaw 2016 Tank Support (Left)
45	1	021-2040-00	Outlaw 2015 Tank Support (Right)
46	1	064-9001-00	2015 XP Brake Cable - Long
47	1	064-9000-00	2015 XP Brake Cable - Short
48	1	019-2007-00	5/16" x 1" Bolt
49	2	062-8013-00	Filter Head Hydraulic Filter
50	2	024-5050-00	Filter Head Fitting 1/2 x 1/2
51	2	063-8014-00	Hydro Filter
52	2	024-5342-00	1/2" Pipe to 3/8" Barb
53	4	018-8052-00	1/4" x 3/4" Hex Bolt
54	4	019-4008-00	1/4" Lock Washer
55	1	025-6001-00	2015 Brake Lever Spacer
56	3	018-4706-00	3/8 x 1 1/2 Carriage Bolt
57	2	031-8045-00	Seat Spring
58	2	014-8047-00	Seat Spring Cap Cover
59	2	019-5037-00	3/8" Lock Washer
60	2	013-6014-00	3/8-16 Hex Nuts Zinc
61	1	028-0090-00	Seat Latch Rod Assembly
62	2	034-1025-00	Brake Spring
63	2	051-8063-00	3/8" Clear Hose
64	2	051-8064-00	1/2 Clear Braided Hose Fitted Foot
65	1	064-8081-00	Seat Cable
66	2	018-3000-00	3/8"-16 x 2" Gr 5 Hex Bolt
67	1	065-8021-75	Outlaw Throttle Cable (Cable Only)
68	1	071-5063-00	Extreme/XP Outlaw Seat Cushion - Bottom
69	1	071-5064-00	Extreme/XP Outlaw Seat Cushion - Back
70	1	071-5062-00	Extreme/XP Outlaw Seat Arm Pads Only (Pair)
71	1	071-5061-00	Extreme/XP Outlaw Seat Arm Rest (Pair)
72	1	071-5015-00	Extreme/XP Outlaw Seat Rail
73	1	071-8061-00	Seat Switch
74	1	071-2019-00	Seat Bolt Kit (Not Shown)

Kawasaki FX 850-V

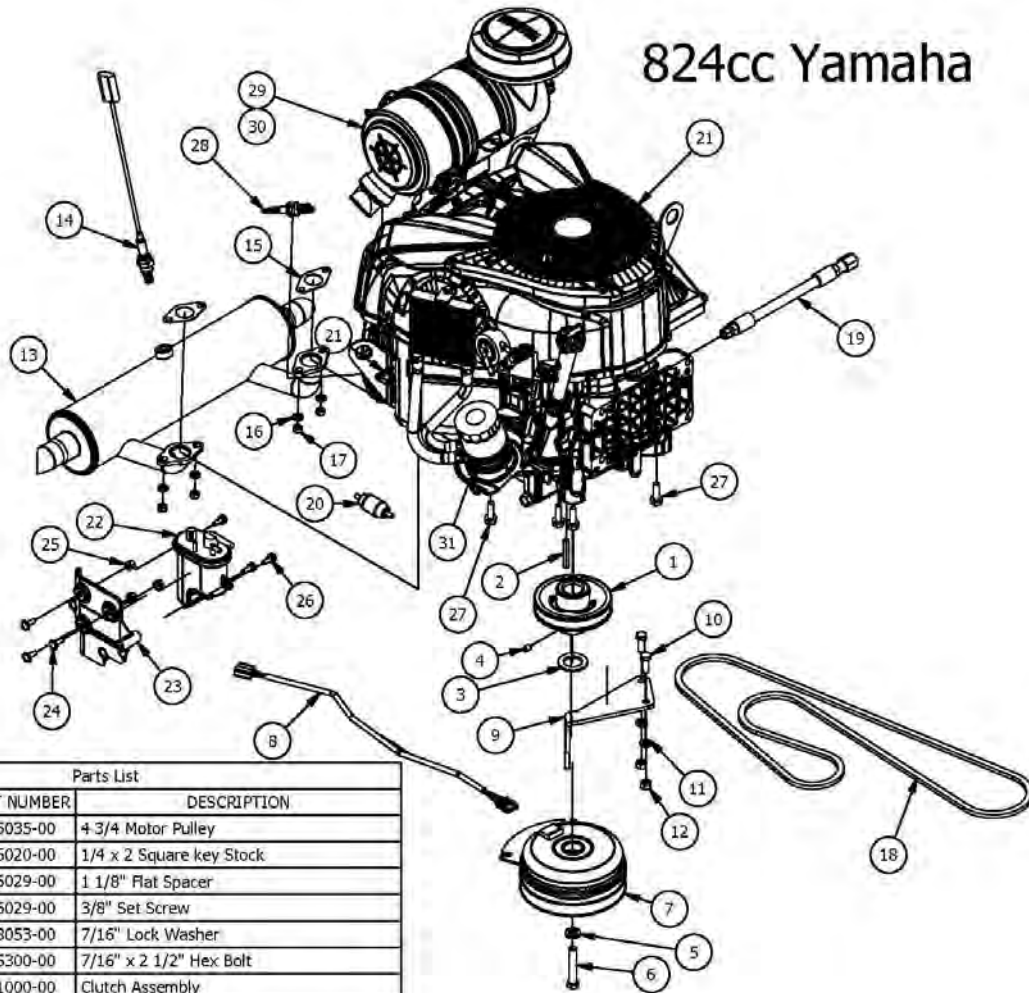


Parts List

ITEM	QTY	PART NUMBER	DESCRIPTION
1	1	015-0031-00	Kawasaki Engine FX-850-V-CS09R
2	1	033-5035-00	4 3/4 Motor Pulley
3	1	041-8411-00	Pump Belt
4	1	030-6029-00	3/8" Set Screw
5	1	042-5020-00	1/4 x 2 Square key Stock
6	4	018-1075-00	3/8 x 1 1/8 bolt
7	1	015-5404-00	oil drain
8	1	103-5400-00	Black Boot For Ground Cable
9	1	018-5321-00	M8x1.20x20MM Hex head bolt
10	5	019-8051-00	5/16" Lock Washer
11	1	063-6000-00	Universal Inline Fuel Filter
12	1	015-0035-00	Kawasaki Exhaust
13	1	063-8020-00	Canister Air Filter- Inner
14	1	063-8019-00	Canister Air Filter- Outer
15	4	013-0075-00	M8-1.25 Zinc Nut
16	1	086-0005-00	Ground Cable
17	1	019-8053-00	7/16" Lock Washer
18	1	018-5300-00	7/16" x 2 1/2" Hex Bolt
19	1	070-1000-00	Clutch Assembly
20	1	070-2000-00	Clutch Pigtail
21	1	057-5906-00	PTO Engager Holder
22	2	018-6049-00	3/8" x 1" Hex Bolt
23	2	019-5037-00	3/8" Lock Washer
24	2	013-6014-00	3/8" Hex Nut
25	2	015-2709-00	Exhaust Gasket
26	1	086-9002-00	Harness Adaptor
27	1	019-6029-00	1 1/8" Flat Spacer
28	2	015-8001-00	Spark Plug - Kawasaki
29	1	088-1071-00	Kawasaki Rain Cap
30	1	063-8017-00	Kawasaki Oil Filter

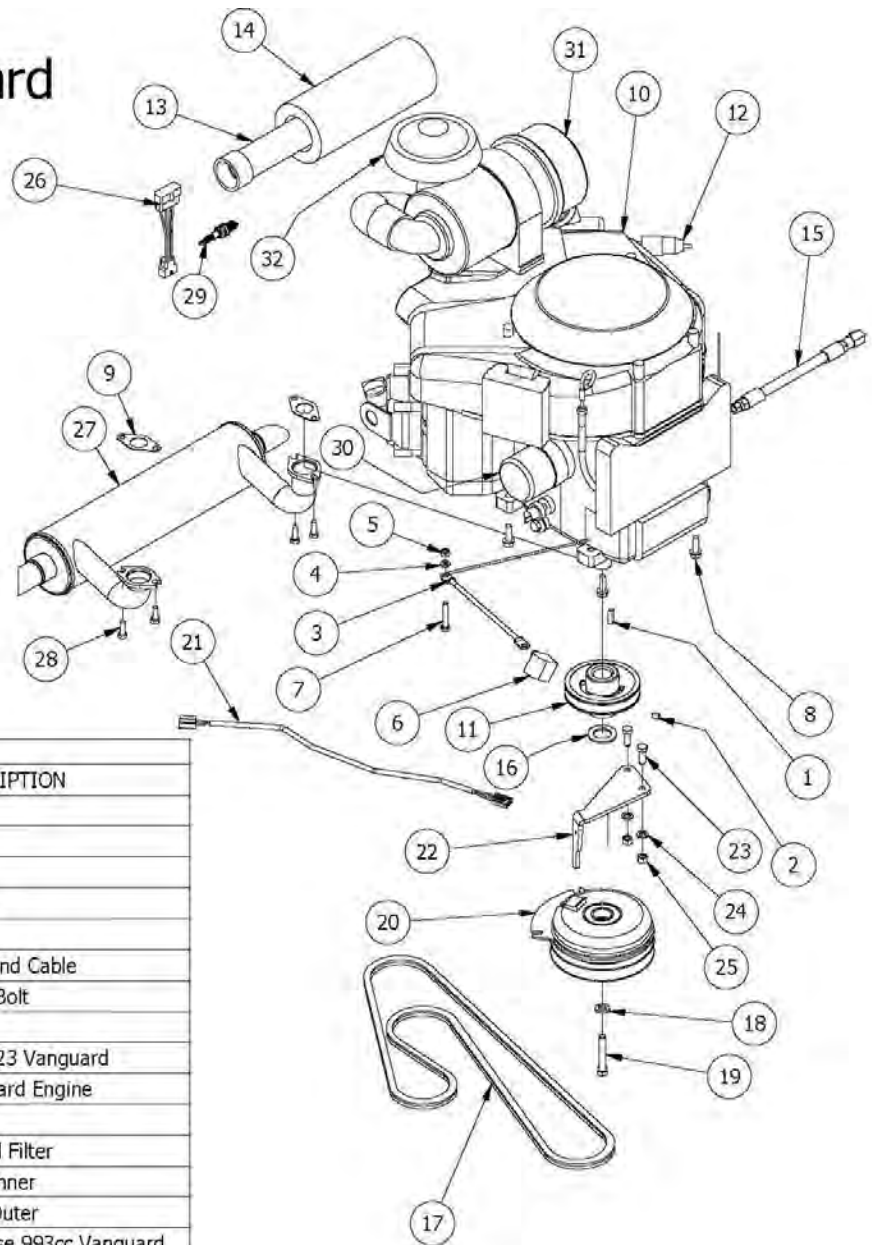


824cc Yamaha



Parts List			
ITEM	QTY	PART NUMBER	DESCRIPTION
1	1	033-5035-00	4 3/4 Motor Pulley
2	1	042-5020-00	1/4 x 2 Square key Stock
3	1	019-6029-00	1 1/8" Flat Spacer
4	1	030-6029-00	3/8" Set Screw
5	1	019-8053-00	7/16" Lock Washer
6	1	018-5300-00	7/16" x 2 1/2" Hex Bolt
7	1	070-1000-00	Clutch Assembly
8	1	070-2000-00	Clutch Pigtail
9	1	057-5906-00	PTO Engager Holder
10	2	018-6049-00	3/8" x 1" Hex Bolt
11	2	019-5037-00	3/8" Lock Washer
12	2	013-6014-00	3/8" Hex Nut
13	1	015-0050-00	Yamaha Muffer
14	1	015-0053-05	O2 Sensor for Yamaha
15	2	015-0053-01	Exhaust Gasket for Yamaha
16	4	019-8051-00	5/16" Lock Washer
17	4	013-0075-00	M8-1.25 Zinc Nut
18	1	041-8411-00	Pump Belt Diesel
19	1	051-5403-00	Oil drain Hose for Yamaha
20	1	063-6000-00	Universal Inline Fuel Filter
21	1	015-0053-00	Yamaha 33hp Engine
22	1	015-0053-03	Yamaha Fuel Pump
23	1	015-0053-04	Yamaha Fuel Pump Bracket
24	3	019-8040-00	1/4" x 3/4" Carriage Bolt
25	3	013-2050-00	1/4-20 Nylon Insert flange Nut
26	3	018-0099-00	M6-1.0x16mm Washer Head Hex Bolt
27	4	018-1075-00	3/8 x 1 1/8 bolt
28	1	015-0053-06	Spark Plug - Yamaha
29	1	063-8020-00	Canister Air Filter- Inner
30	1	063-8019-00	Canister Air Filter- Outer
31	1	015-0053-02	Oil Filter

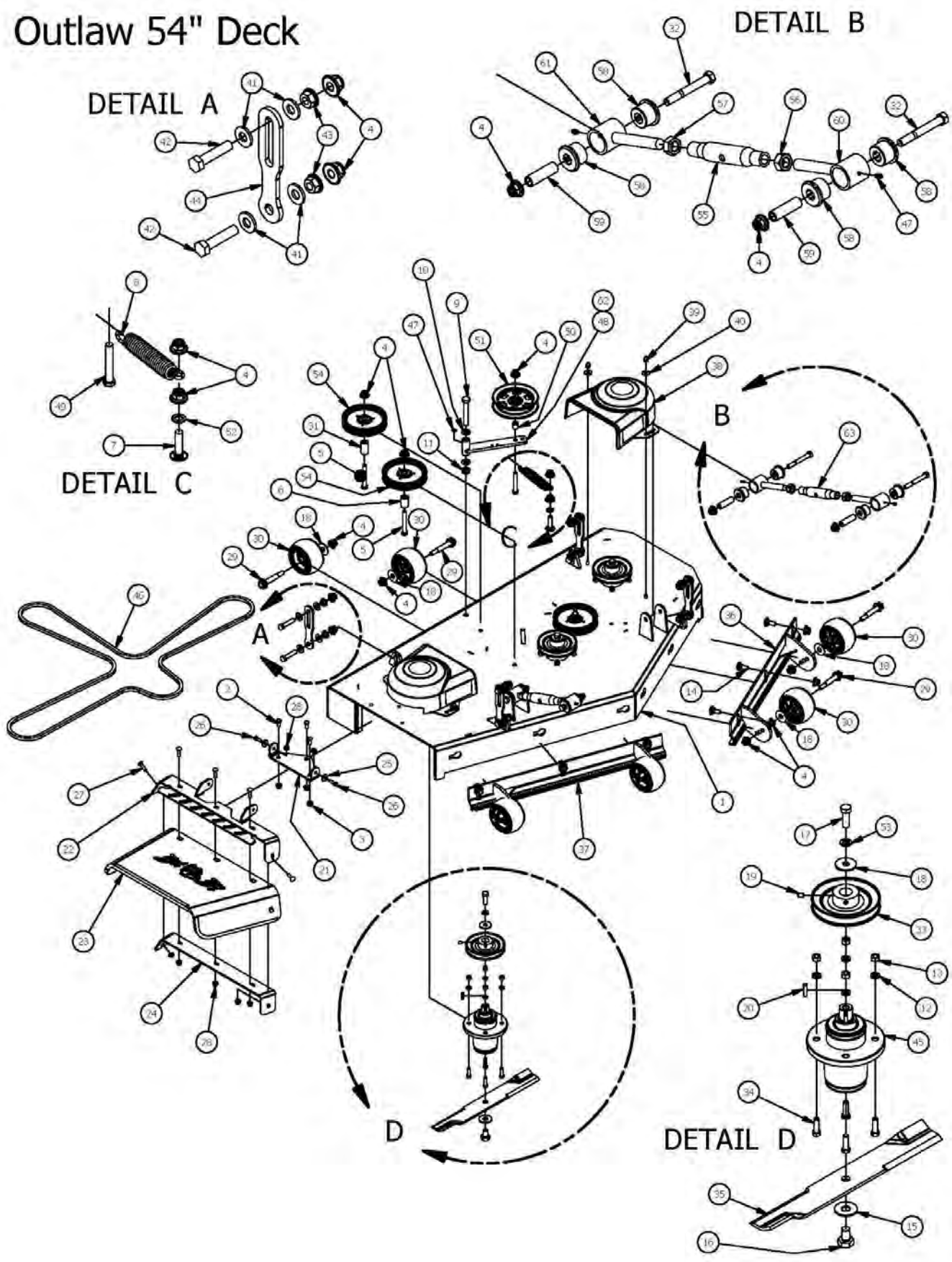
993cc Vanguard



993cc Vanguard			
ITEM	QTY	PART NUMBER	DESCRIPTION
1	1	042-6030-00	1/4" x 1" Key
2	1	030-0050-00	5/16 Set Screw
3	1	086-0005-00	Ground Cable
4	1	019-8051-00	5/16" Lock Washer
5	1	013-8043-00	5/16" Nut
6	1	103-5400-00	Black Boot For Ground Cable
7	1	018-8059-00	5/16" x 1 3/4" Hex Bolt
8	3	018-1075-00	3/8 x 1 1/8 bolt
9	2	015-0025-00	Exhaust Gasket for 23 Vanguard
10	1	015-3600-00	993cc Briggs Vanguard Engine
11	1	033-5035-00	4 3/4 Motor Pulley
12	1	063-6000-00	Universal Inline Fuel Filter
13	1	063-8020-00	Canister Air Filter- Inner
14	1	063-8019-00	Canister Air Filter- Outer
15	1	051-5402-00	14 mm Oil drain Hose 993cc Vanguard
16	1	019-6029-00	1 1/8" Flat Spacer
17	1	041-8411-00	Pump Belt
18	1	019-8053-00	7/16" Lock Washer
19	1	018-5300-00	7/16" x 2 1/2" Hex Bolt
20	1	070-1000-00	Clutch Assembly
21	1	070-2000-00	Clutch Pigtail
22	1	057-5906-00	PTO Engager Holder
23	2	018-6049-00	3/8" x 1" Hex Bolt
24	2	019-5037-00	3/8" Lock Washer
25	2	013-6014-00	3/8" Hex Nut
26	1	086-9001-00	Harness Adaptor - 933cc Vanguard
27	1	015-0049-00	2015 Exhaust - 36hp Vanguard
28	4	018-0017-00	Torx Bolt-Exhaust-23hp Vanguard
29	2	015-8000-00	Spark Plug
30	1	063-8018-00	Briggs Oil Filter
31	1	015-2705-00	Complete Canister
32	1	063-2045-00	Rain Cap Fits all Canisters



Outlaw 54" Deck

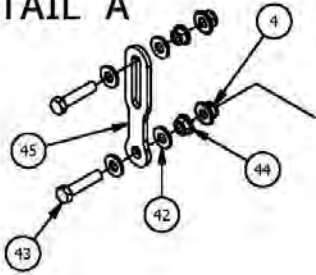


Parts List			
ITEM	QTY	PART NUMBER	DESCRIPTION
1	1	060-5550-00	2015 54" Deck
2	3	018-5250-00	3/8" x 3/4" Hex Bolt
3	3	013-5201-00	3/8" Flange Nut
4	30	013-6050-00	1/2-13 Nylon Flange Nut
5	3	018-2018-00	1/2 x 3 1/2 Flange Bolt Grade 8
6	2	025-5338-00	Idler Pulley Standoff
7	1	018-1050-00	1/2 x 2" Carriage Bolt
8	1	034-2020-00	2015 Deck Idler Spring Outlaws
9	1	018-5311-00	5/8" x 4" Hex Bolt
10	2	019-6017-00	630 ID Plastic Washer
11	1	013-5301-00	5/8-11 Nylon Insert Jam Nut
12	12	019-5037-00	3/8 Lockwasher Zinc
13	12	013-0014-00	3/8-16 Hex Nuts Zinc
14	6	018-3009-00	1/2" x 1 1/4" Carriage Bolt
15	3	019-5038-00	5/8" Flat Washer
16	3	018-6020-00	5/8" x 1 1/2" Grade 8 Hex Bolt (Fine)
17	3	018-6019-00	1/2"-20 x 1 1/2" - Grade 5 Fine Thread Bolt
18	9	019-6020-00	1/2" Belleville Washer
19	3	030-0050-00	5/16 Set Screw
20	3	042-6030-00	1/4" x 1" Key
21	1	206-6017-00	Discharge Chute Hanger (deck mounted)
22	1	039-1864-00	60" Discharge Chute Upper Hanger
23	1	210-6005-00	Rubber Discharge Chute
24	1	039-4863-00	60" Discharge Lower Bracket
25	2	019-6042-00	360 ID Plastic Washer
26	2	018-2007-00	5/16" x 1" Bolt
27	5	018-4703-00	5/16" x 1 1/4" Carriage Bolt
28	2	013-8019-00	5/16" Nylock Flange Nut Zinc
29	6	018-0010-00	Deck Wheel Bolt
30	6	022-1000-00	Anti-Scalp Roller
31	1	025-5339-00	1 3/4" Pulley Spacer
32	4	018-5019-00	1/2" x 4" Bolt (Grade 8)
33	3	033-6006-00	5.25" Deck Spindle Pulley
34	12	018-5040-00	3/8" x 1 1/4" Hex Bolt
35	3	038-0001-00	54" Deck Fusion Blade For Outlaw
36	1	060-5520-00	54 Deck Adjustable Front (Left)
37	1	060-5530-00	54 Deck Adjustable Front (Right)
38	2	014-5000-00	Pulley Cover
39	4	013-0004-00	Acorn nut-pulley Cover
40	4	019-6050-00	360 ID Plastic Washer-Black
41	16	019-8054-00	505 Nylon Spacer
42	8	018-6037-00	1/2-13x 2-1/4 GR. Hex Bolts
43	8	013-5300-00	1/2" Flange Nut
44	4	039-2125-00	Deck_Hanging_Tab
45	3	037-4000-00	CUT. AW SPINDLE ASSEMBLY
46	1	041-1650-00	60" ZT Deck Belt
47	5	024-6034-00	1/8" Press In Grease Fitting
48	1	039-6945-00	Deck Idler
49	1	018-7016-00	1/2-13 x GR. 5 Hex Bolt Zinc
50	1	025-5203-00	Spacer 3/4 OD x 1/2 ID x 3/4 Length
51	1	033-6050-00	5" Idler Pulley
52	1	019-0007-00	5/17 Square Hole Round Washer
53	3	019-5007-00	1/2" Lock Washer
54	3	033-7201-25	5-3/4 Idler Pulley-Capitol Stampings
55	2	048-7020-00	2015 Outlaw Toplink Body
56	2	013-0008-00	3/4-10 Left-Handed Hex Nuts Zinc
57	2	013-0007-00	3/4-10 Hex Nuts Zinc
58	8	032-2000-00	Bushing
59	4	032-2001-00	Sleeve
60	2	048-7022-00	Turn Left-Handed
61	2	048-7021-00	Right-Handed End
62	1	039-6945-98	Deck Idler Assembly - Includes parts 4,47,48,50,51
63	2	048-7000-00	Turnbuckle Assembly

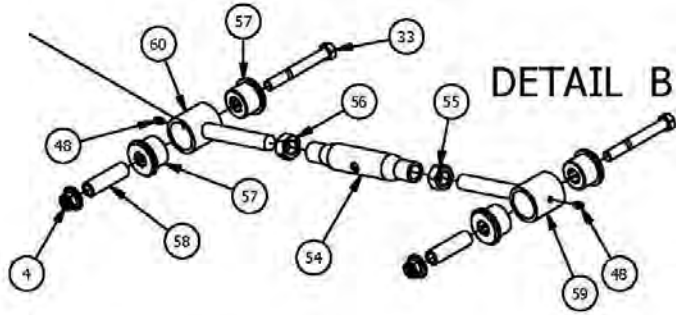


Outlaw 61" Deck

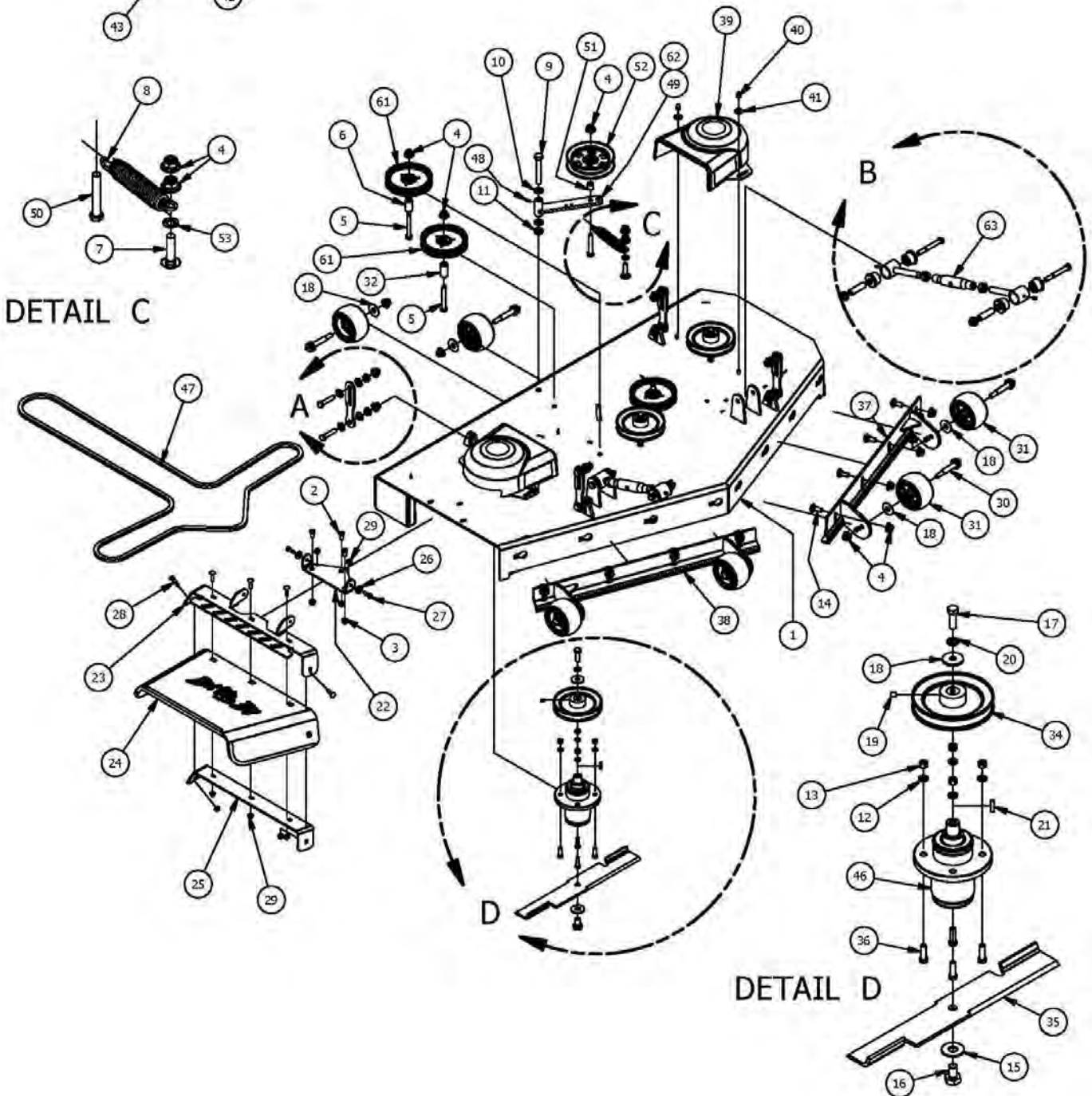
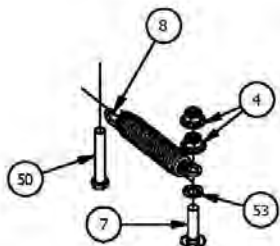
DETAIL A



DETAIL B



DETAIL C

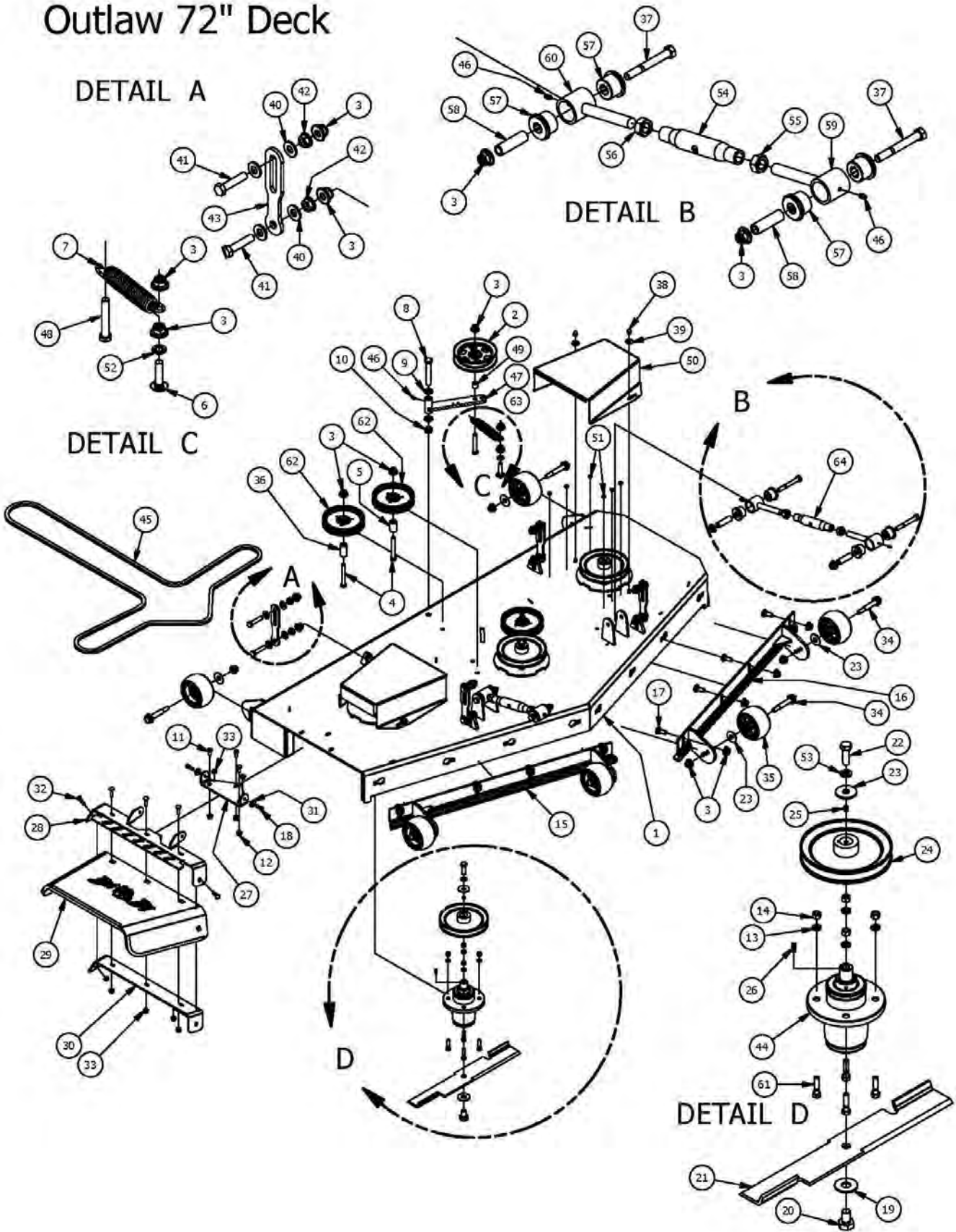


DETAIL D

Parts List			
ITEM	QTY	PART NUMBER	DESCRIPTION
1	1	060-6150-00	2015 61" Deck
2	3	018-5250-00	3/8" x 3/4" Hex Bolt
3	3	013-5201-00	3/8" Flange Nut
4	32	013-8050-00	1/2-13 Nylon Flange Nut
5	3	018-2018-00	1/2 x 3 1/2 Flange Bolt Grade 8
6	2	025-5338-00	Idler Pulley Standoff
7	1	018-1050-00	1/2 x 2" Carriage Bolt
8	1	034-2020-00	2015 Deck Idler Spring Outlaws
9	1	018-5311-00	5/8" x 4" Hex Bolt
10	2	019-6017-00	.630 ID Plastic Washer
11	1	013-5301-00	5/8-11 Nylon Insert Jam Half Nut
12	12	019-5037-00	3/8 Lockwasher Zinc
13	12	013-6014-00	3/8-16 Hex Nuts Zinc
14	8	018-3003-00	1/2" x 1 1/4" Carriage Bolt
15	3	019-5038-00	5/8" Flat Washer
16	3	018-6020-00	5/8" x 1 1/2" Grade 8 Hex Bolt (Fine)
17	3	018-6019-00	1/2"-20 x 1 1/2 - Grade 5 Fine Thread Bolt
18	9	019-6020-00	1/2" Belleville Washer
19	3	030-0050-00	5/16 Set Screw
20	3	019-5007-00	1/2" Lock Washer
21	3	042-6030-00	1/4" x 1" Key
22	1	206-6017-00	Discharge Chute Hanger (deck mounted)
23	1	039-4864-00	60" Discharge Chute Upper Hanger
24	1	210-6005-00	Rubber Discharge Chute
25	1	039-4863-00	60" Discharge Lower Bracket
26	2	019-6042-00	.360 ID Plastic Washer
27	2	018-2007-00	5/16" x 1" Bolt
28	5	018-4703-00	5/16" x 1 1/4" Carriage Bolt
29	7	013-8049-00	5/16" Nylock Flange Nut Zinc
30	6	018-0010-00	Deck Wheel Bolt
31	6	022-1000-00	Anti-Scalp Roller
32	1	025-5339-00	1 3/4" Pulley Spacer
33	4	018-5019-00	1/2" x 4" Bolt (Grade 8)
34	3	033-6004-00	6 1/4" Drive Pulley
35	3	038-6080-00	61 inch Fusion Blade
36	12	018-5040-00	3/8" x 1 1/4" Hex Bolt
37	1	060-6220-00	61 Deck Adjustable Front (Left)
38	1	060-6210-00	61 Deck Adjustable Front (Right)
39	2	014-5000-00	Pulley Cover
40	4	013-0004-00	Acorn nut-pulley Cover
41	4	019-6050-00	.360 ID Plastic Washer-Black
42	16	019-8054-00	.505 Nylon Spacer
43	8	018-6037-00	1/2-13X 2-1/4 GR Hex Bolts
44	8	013-5300-00	1/2" Flange Nut
45	4	039-2125-00	Deck_Hanging_Tab
46	3	037-4000-00	OUTLAW SPINDLE ASSEMBLY
47	1	041-0178-00	8178 Belt For 61 Inch Outlaw
48	5	024-6034-00	1/4" Press in Grease Fitting
49	1	039-6945-00	Deck Idler
50	1	018-7016-00	1/2-13 x GR 5 Hex Bolt Zinc
51	1	025-5203-00	Spacer 3/4 OD x 1/2 ID x 3/4 Length
52	1	033-8050-00	5" Idler Pully
53	1	019-0007-00	.517 Square Hole Round Washer
54	2	048-7020-00	2015 Outlaw Toplink Body
55	2	013-0008-00	3/4-10 Left-Handed Hex Nuts Zinc
56	2	013-0007-00	3/4-10 Hex Nuts Zinc
57	8	032-2000-00	Bushing
58	4	032-2001-00	Sleeve
59	2	048-7022-00	Turn Left-Handed
60	2	048-7021-00	Right-Handed End
61	3	033-7201-25	5-3/4 Idler Pulley-Capitol Stampings
62	1	039-6945-98	Deck Idler Assembly - Includes parts: 4,48,49,50,51,52
63	2	048-7000-00	Turnbuckle Assembly



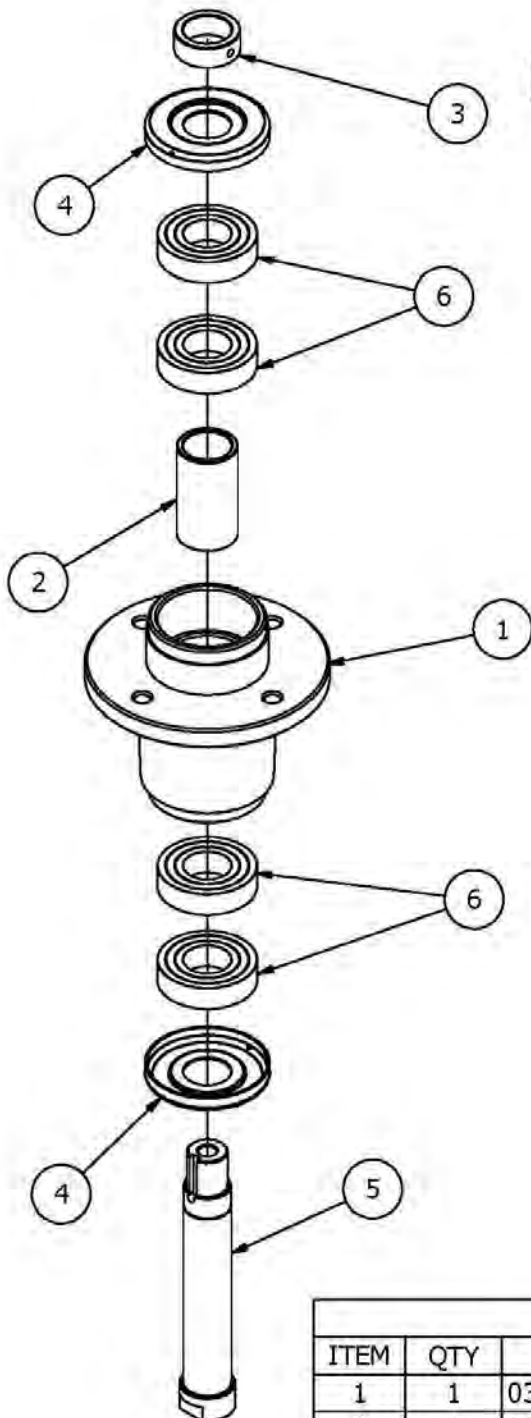
Outlaw 72" Deck



Parts List			
ITEM	QTY	PART NUMBER	DESCRIPTION
1	1	060-7250-00	2015 72" Deck
2	1	033-8050-00	5" Idler Pulley
3	32	013-8050-00	1/2-13 Nylon Flange Nut
4	3	018-2018-00	1/2 x 3 1/2 Flange Bolt Grade 8
5	2	025-5338-00	Idler Pulley Standoff
6	1	018-1050-00	1/2 x 2" Carriage Bolt
7	1	034-2020-00	2015 Deck Idler Spring
8	1	018-5311-00	5/8" x 4" Hex Bolt
9	2	019-6017-00	.630 ID Plastic Washer
10	1	013-5301-00	5/8-11 Nylon Insert Jam Half Nut
11	3	018-5250-00	3/8" x 3/4" Hex Bolt
12	3	013-5201-00	3/8" Flange Nut
13	12	019-5037-00	3/8 Lockwasher Zinc
14	12	013-6014-00	3/8-16 Hex Nuts Zinc
15	1	060-7211-00	72" Deck Adjustable Front (Right)
16	1	060-7210-00	72" Deck Adjustable Front (Left)
17	8	018-3003-00	1/2" x 1 1/4" Carriage Bolt
18	2	018-2007-00	5/16" x 1" Bolt
19	3	019-5038-00	5/8" Flat Washer
20	3	018-6020-00	5/8" x 1 1/2" Grade 8 Hex Bolt (Fine)
21	3	038-7230-00	72" High Lift Fusion Blade
22	3	018-6019-00	1/2"-20 x 1 1/2" - Grade 5 Fine Thread Bolt
23	9	019-6020-00	1/2" Belleville Washer
24	3	033-7203-00	7" Deck Pulley
25	3	030-0050-00	5/16 Set Screw
26	3	042-6030-00	1/4" x 1" Key
27	1	206-6017-00	Discharge Chute Hanger (deck mounted)
28	1	039-4864-00	60" Discharge Chute Upper Hanger
29	1	210-6005-00	Rubber Discharge Chute
30	1	039-4863-00	60" Discharge Lower Bracket
31	2	019-6042-00	.360 ID Plastic Washer
32	5	018-4703-00	5/16" x 1 1/4" Carriage Bolt
33	7	013-8049-00	5/16" Nylock Flange Nut Zinc
34	6	018-0010-00	Deck Wheel Bolt
35	6	022-1000-00	Anti-Scalp Roller
36	1	025-5339-00	1 3/4" Pulley Spacer
37	4	018-5019-00	1/2" x 4" Bolt (Grade 8)
38	4	013-0004-00	Acom nut-pulley Cover
39	4	019-6050-00	.360 ID Plastic Washer-Black
40	16	019-8054-00	.505 Nylon Spacer
41	8	018-6037-00	1/2-13X 2-1/4 GR Hex Bolts
42	8	013-5300-00	1/2" Flange Nut
43	4	039-2125-00	Deck Hanging Tab
44	3	037-4000-00	OUTLAW SPINDLE ASSEMBLY
45	1	041-0202-00	B202 Belt for 72" Outlaw
46	5	024-6034-00	1/4" Press in Grease Fitting
47	1	039-6945-00	Deck Idler
48	1	018-7016-00	1/2-13 x GR 5 Hex Bolt Zinc
49	1	025-5203-00	Spacer 3/4 OD x 1/2 ID x 3/4 Length
50	2	014-7204-00	72 Outlaw Spindle Pulley Cover
51	12	058-6000-00	Black, Round Stick-On Rubber Bumper
52	1	019-0007-00	.517 Square Hole Round Washer
53	3	019-5007-00	1/2" Lock Washer
54	2	048-7020-00	2015 Outlaw Toplink Body
55	2	013-0008-00	3/4-10 Left-Handed Hex Nuts Zinc
56	2	013-0007-00	3/4-10 Hex Nuts Zinc
57	8	032-2000-00	Bushing
58	4	032-2001-00	Sleeve
59	2	048-7022-00	Turn Left-Handed
60	2	048-7021-00	Right-Handed End
61	12	018-6012-00	3/8" x 1 1/2" Hex Bolt
62	3	033-7201-25	5-3/4 Idler Pulley-Capitol Stampings
63	1	039-6945-01	Deck Idler Assembly - Includes parts: 2,3,46,47,48,49
64	2	048-7000-00	Turnbuckle Assembly



037-4000-00 Double Bearing Spindle



Parts List			
ITEM	QTY	PART NUMBER	DESCRIPTION
1	1	037-4000-01	4000 Series Spindle Housing
2	1	037-4002-00	4000 Series Spindle Spacer
3	1	037-9050-00	Locking Collar w/ 1/4"-20 Set Screw
4	2	037-8002-00	Spindle Dust Cap
5	1	037-6026-00	Spindle Shaft
6	4	037-6023-00	Bearing - 6206



091-1106-00 852cc Decal



091-1107-00 993cc Decal



091-0902-00
Logo Decal Floorboard



091-0904-00
54" Decal



091-0415-00 824cc Decal



091-3309-00
Deck Belt Route Decal



091-3017-00
Pump Belt Route Decal



091-0917-00
61" Decal



091-1154-00 2015 XP Control Panel Decal



091-3012-00
Danger Decal – Spindle/Discharge



091-1020-00
Hydraulic Tank



091-0918-00
72" Decal



091-3060-00 Swing-Away
Patent Decal



091-1104-00
Throttle Decal



091-1102-00
Left Steering
Control Decal



091-1103-00
Right Steering
Control Decal



091-1105-00
Outlaw Deck Height Decal



091-0919-00
ArmorTek Decal



091-1101-00
Brake Decal



091-8000-00 EZ
Ride Patent Decal



091-3150-00 Outlaw Warning Decal



NOTES:

2017 LIMITED WARRANTY

FOR

BAD BOY COMMERCIAL MOWER

(STAND ON, DIESEL, OUTLAW, OUTLAW EXTREME, and OUTLAWXP)

1. WHAT THIS WARRANTY COVERS, AND FOR HOW LONG:

Bad Boy, Inc. will, at its option, repair or replace, without charge, any part covered by the warranty which is found to be defective in material and/or workmanship within two (2) years* after date of sale to the original retail purchaser **unless the product is used for rental purposes, in which case this warranty is limited to ninety (90) days.**

The leading edge of the deck shell will be warranted for the entire lifetime of the machine to the original purchaser against defects in materials and workmanship. Labor required to repair or replace the leading edge of the deck shell will be covered by Bad Boy Inc. for two years and at the unit owner's expense during the balance of the lifetime of the machine.

Belts are warranted for a period of ninety (90) days against materials or workmanship defects.

Seats are warranted for a period of (6) months against material or workmanship defects.

At Bad Boy, Inc.'s request, customer will make the defective part available for inspection by Bad Boy, Inc. and/or return the defective part to Bad Boy, Inc., **transportation charges prepaid.**

2. WHAT THIS WARRANTY DOES NOT COVER:

- A. This warranty does not cover defects caused by depreciation or damage caused by normal wear, accidents, improper maintenance, improper use or abuse of the product, alterations, or failure to follow the instruction contained in the Owner's Manual for operation and maintenance.
- B. The customer shall pay any charges for making service calls and/or for transporting the mower to and from the place where the inspection and/or warranty work is performed.
Bad Boy Inc. will not be responsible for the pickup and delivery of a machine for warranty purposes.
- C. Engines are warranted separately by their respective manufacturer. The available warranties covering this item are furnished with each mower. Bad Boy, Inc. does not assume any warranty obligation, liability or modification for this item, which is covered exclusively by the stated warranty of the respective manufacturers.
- D. Tires, blades, deck anti-scalping wheels, and dust covers are considered to be consumable wear items and are therefore not warranted.
- E. Batteries are warranted for six months (free replacement) from the retail purchase date against materials or workmanship defects. The battery warranty must be obtained through the battery manufacturer.
- F. Normal maintenance services such as oil change, cleaning, lubrication, adjustment.
- G. Replacement of services, items, such as oil, lubricants, spark plugs, belts, rubber hoses or other items subject to normal service replacement.

3. HOW TO OBTAIN SERVICE UNDER THIS WARRANTY:

- A. Warranty service can be arranged by contacting the dealer where you purchased the mower. Proof of the date of purchase may be required to verify warranty coverage. Warranty items must be repaired at an authorized Bad Boy center.

B. Warranty claims will not be reviewed or paid unless the warranty registration is received by Bad Boy, Inc. within 30 days of the retail purchase date.

- C. Warranty claims requiring parts returned will be settled upon return of parts to Bad Boy for inspection.
- D. All warranty issues must be handled through an authorized service center or dealership.

4. WARRANTY LIMITATION:

- A. **THERE IS NO OTHER EXPRESS WARRANTY. ANY WARRANTY THAT MAY BE IMPLIED FROM THIS PURCHASE INCLUDING MERCHANTABILITY AND FITNESS FOR A PARTICULAR PURPOSE IS HEREBY LIMITED TO THE DURATION OF THIS WARRANTY AND TO THE EXTENT PERMITTED BY LAW ANY AND ALL IMPLIED WARRANTIES ARE EXCLUDED.** Some states do not allow limitations on how long an implied warranty lasts, so the above limitations may not apply to you.
- B. **BAD BOY, INC. WILL NOT BE LIABLE FOR ANY INCIDENTAL, CONSEQUENTIAL, OR SPECIAL DAMAGES AND/OR EXPENSES IN CONNECTION WITH THE PURCHASE OR USE OF THE MOWER.** Some states do not allow the exclusion or limitation of incidental or consequential damages, so the above limitation(s) or exclusion(s) may not apply to you.
- C. Only the warranty expressed in this limited warranty shall apply and no dealer, distributor, or individual is authorized to amend, modify, or extend this warranty in any way. Accordingly, additional statements such as dealer advertising or presentations, whether oral or written, do not constitute warranties by Bad boy, Inc., and should not be relied on.
- D. This warranty extends only to turf equipment operated under normal conditions and properly serviced and maintained. The warranty expressly does not cover (i) any defects, damage or deterioration due to normal use, wear and tear, or exposure; (ii) normal maintenance services such as oil change, cleaning, lubrication, adjustment; (iii) replacement of services, items, such as oil, lubricants, spark plugs, belts, rubber hoses or other items subject to normal service replacement; (iv) damage or defects arising out of or relating to misuse, neglect, alteration, negligence or accident; (v) repair or replacement arising from operation of or use of the turf equipment which is not in accordance with operating instructions as specified in the operator's manual or other operational instructions provided by Bad Boy Inc.; (vi) repair or replacement arising as a result of any operation from turf equipment that has been altered or modified so as to, indetermination of Bad Boy, Inc., adversely affect the operation, performance or durability of the equipment or that has altered, modified or affected the turf equipment so as to change the intended use of the product; (vii) repair or replacement necessitated by use of parts, accessories or supplies, including gasoline, oil or lubricants, incompatible with the turf equipment or other than as recommended in the operator's manual or other operational instructions provided by Bad Boy, Inc.; (viii) repairs or replacements resulting from parts or accessories which have adversely affected the operation, performance or durability of the turf equipment; or (ix) damage or defects due to or arising out of repair of turf equipment by person or persons other than an authorized Bad Boy, Inc., service dealer or the installation of parts other than genuine Bad Boy, Inc., recommended parts.
As a condition to this warranty, customer shall have read the operator's manual and ensured the mower has been registered within 30 days of purchase.
- E. This warranty gives you specific legal rights, and you may also have other rights, which vary from state to state.



Bad Boy, Inc.
102 Industrial Drive
Batesville, AR 72501
www.badboymowers.com

Technical Support:.....techsupport@badboymowers.com

Warranty:warranty@badboymowers.com

Parts:.....partsdept@badboymowers.com

WARRANTY REGISTRATION

**Ensure selling dealership has registered mower within
30 days of purchase to validate warranty.**

Please record your serial number, date of purchase and dealership information
for your records.

Serial # _____

Date of Purchase _____

Dealer Information _____



For additional information, please see us at

www.badboymowers.com

Bad Boy, Inc.
102 Industrial Drive
Batesville, Arkansas 72501